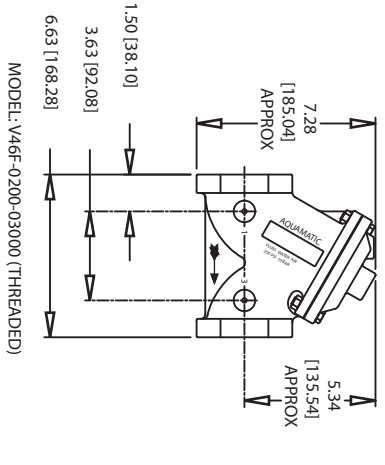
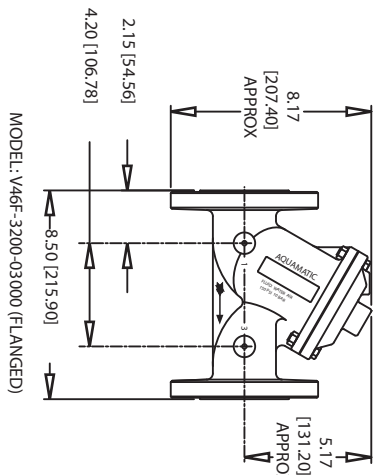


# 2" DIAPHRAGM VALVE - STAINLESS STEEL

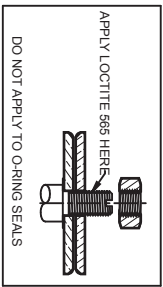
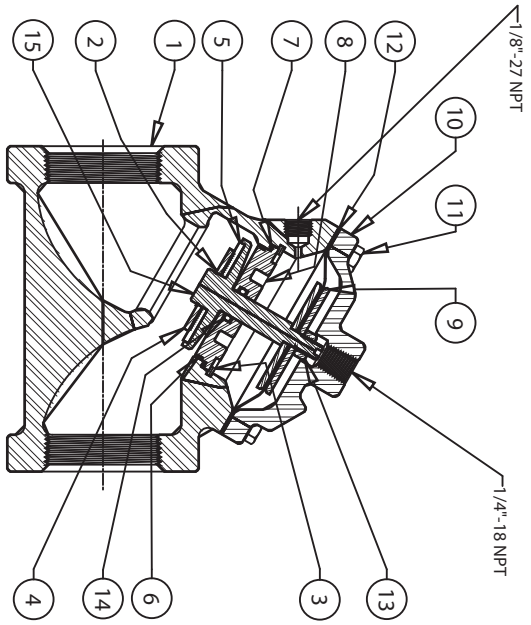
## THREADED



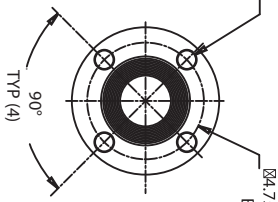
## FLANGED



INCHES [MILLIMETERS]



Ø 750 [Ø 19.050] THRU TYP (4) BOTH FLANGES



FLANGES PER ASTM B16.5 CLASS 150 AND ISO 7005-1 PN20

## NORMALLY OPEN (STANDARD)

## REPAIR PARTS KITS

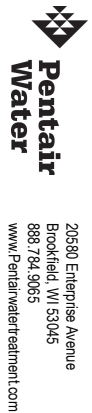
DESCRIPTION	PART NO.	DESCRIPTION	PART NO.
DIAPHRAGM & SEALS KIT CONSISTS OF ITEMS NOS 2, 3, 5, 6, 7, 12, 13, 14, 17, 26 & SILICONE PACK PART NO. 1071485	1078704	BUNA N INCLUDES DIAPHRAGM	1074296
INT. PARTS KIT (NORM. OPEN) CONSISTS OF STANDARD ITEM NOS 4, 8, 9(2), 15	1078705	E.P.D.M. INCLUDES DIAPHRAGM	1074296
	1078706	FKM INCLUDES DIAPHRAGM	1074297
	1078707		

NO.	DESCRIPTION		STD	PART NO.	QTY.
	NP	BSPT			
1	BODY, 2" THREADED	CAST CF8M (316 SS)	*	1079059	1
2	RETAINING RING	316 SS	*	1078566	1
3	DISC	316 SS	*	1078648	1
4	DISC PLATE	BUNA	*	1074307	1
5	DISC	E.P.D.M.	*	1074309	1
6	O-RING (-037)	BUNA N	*	1079836	1
7	O-RING (-039)	E.P.D.M.	*	1071685	1
8	SHAFT GUIDE	316 SS	*	1071796	1
9	DIAPHRAGM PLATE	CAST CF8M	*	1078664	2
10	CAP	316 SS	*	1078660	1
11	HEX SCREW	BUNA N	*	1078652	6
12	DIAPHRAGM	FKM	*	1074297	1
13	HEX NUT	316 SS	*	1078650	7
14	O-RING (-206TC)	E.P.D.M.	*	1071742	1
15	SHAFT	CAST CF8M	*	1078670	1

- NOTES:
- AMERICAN NATIONAL STANDARD TAPER PIPE THREADS (NPT) PER ANSI B1.20.1.
  - VALVES AVAILABLE IN BSPT CONFIGURATION. (SEE ITEM 1)

SEE SHEET 2 FOR CONFIGURATION OPTIONS

FORM NO. 1078717

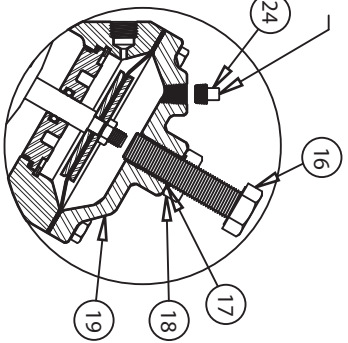


20580 Enterprise Avenue  
Brookfield, WI 53045  
888.784.9065  
www.PentairWaterTreatment.com

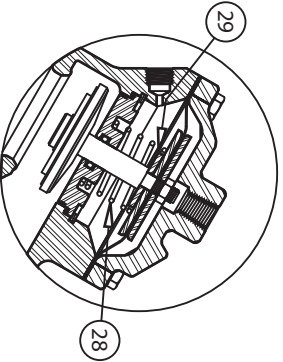
## SERIES 465 DIAPHRAGM VALVE STANDARD MODEL

DRAWN	DATE	DRAWING NO.
GES	03APR02	1078668

USED WITH NORMALLY  
CLOSED VALVES ONLY  
1/8" NPT

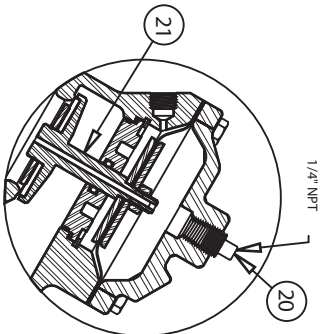


**LIMIT STOP**  
MODEL: V46F-3210-03000 (FLANGED)  
MODEL: V46F-0210-03000 (THREADED)



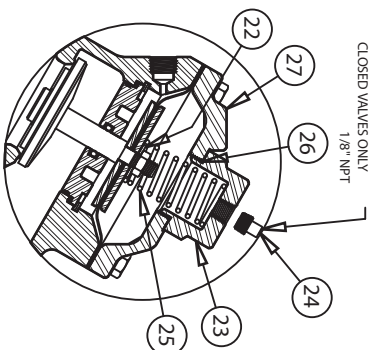
**SPRING ASSIST OPEN**  
MODEL: V46F-3201-03000 (FLANGED)  
MODEL: V46F-0201-03000 (THREADED)

1/4" NPT



**NORMALLY CLOSED**  
MODEL: V46F-3230-03000 (FLANGED)  
MODEL: V46F-0230-03000 (THREADED)

USED WITH NORMALLY  
CLOSED VALVES ONLY  
1/8" NPT



**SPRING ASSIST CLOSED**  
MODEL: V46F-3202-03000 (FLANGED)  
MODEL: V46F-0202-03000 (THREADED)

NO.	DESCRIPTION	STD.	PART NO.	QTY.
<b>LIMIT STOP MODEL</b>				
16	SCREW		316 SS	1078676
17	O-RING (-112)		BUJNA	1071690
18	STOP NUT		316 SS	1078678
19	CAP NPT		CAST (CRBM)	1078680

**NORMALLY CLOSED MODEL**

20	PIPE PLUG, 1/4" NPT		316 SS	1078592
21	SHAFT (NORMALLY CLOSED)		316 SS	1078682

**SPRING ASSIST CLOSED MODEL**

22	CENTERING WASHER		316 SS	1078684
23	RETAINER NUT		316 SS	1078686
24	PIPE PLUG (1/8" NPT)		316 SS	1078600
25	SPRING		316 SS	1078688
26	O-RING (-025)		BUJNA	1071677
27	CAP		CAST (CRBM)	1078690

**SPRING ASSIST OPEN MODEL**

28	SPRING		316 SS	1078692
29	CENTERING WASHER		316 SS	1078694

NOTE:

1. SPRING ASSIST CLOSED MODEL CANNOT BE COMBINED WITH LIMIT STOP MODEL.

SEE SHEET 1 FOR STANDARD  
NORMALLY OPEN MODEL

FORM NO. 1078717

DESCRIPTION	PART NO.
CONVERSION KIT (LIMIT STOP)	1078713
CONSISTS OF STANDARD ITEM NOS 16,17,18,19	
CONVERSION KIT (SPRING ASSIST CLOSED)	1078714
CONSISTS OF STANDARD ITEM NOS 22,23,24,25,26,27	
CONVERSION KIT (SPRING ASSIST OPEN)	1078711
CONSISTS OF STANDARD ITEM NOS 28,29	

DESCRIPTION	PART NO.
INT. PARTS KIT (LIMIT STOP)	1078708
CONSISTS OF STANDARD ITEM NOS 16,17,18	
INT. PARTS KIT (NORMALLY CLOSED)	1078709
CONSISTS OF STANDARD ITEM NOS 4,8,9(2),21	
INT. PARTS KIT (SPRING ASSIST CLOSED)	1078710
CONSISTS OF STANDARD ITEM NOS 22,25,26	
INT. PARTS KIT (SPRING ASSIST OPEN)	1078711
CONSISTS OF STANDARD ITEM NOS 28, 29	

**SERIES 465 DIAPHRAGM VALVE  
STANDARD MODEL**



20560 Enterprise Avenue  
Brookfield, WI 53005  
888.784.9065  
www.Pentairwatertreatment.com

REV	DESCRIPTION	ECO	DWN	DATE	APVD
F	SEE REVERSE SIDE	1713	MSM	26JUN07	SMN

DRAWN	DATE	DRAWING NO.
GES	03APR02	1078668