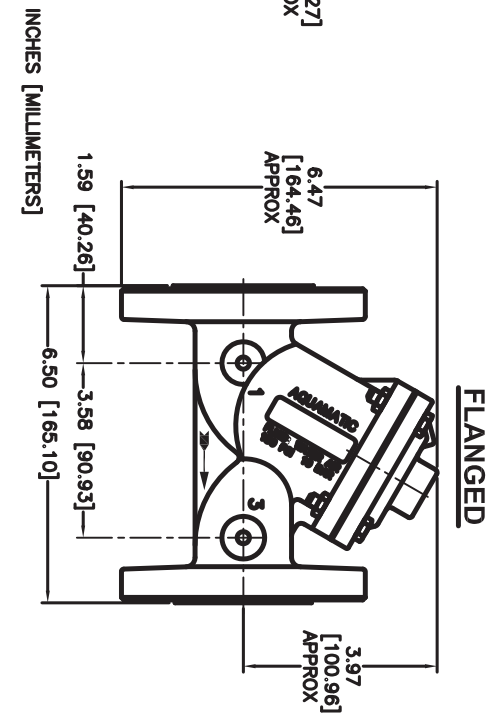
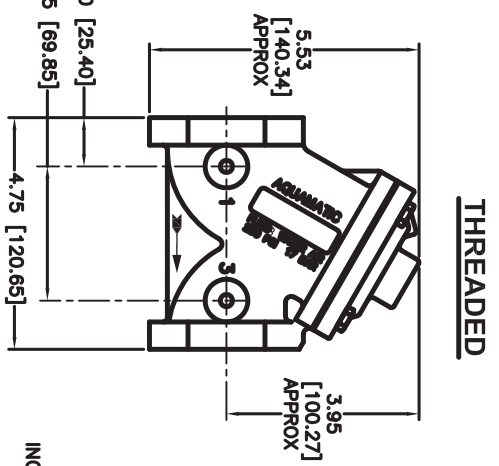
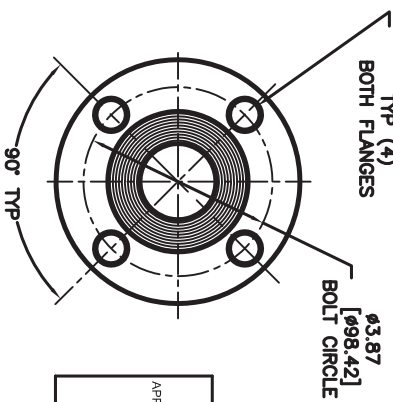
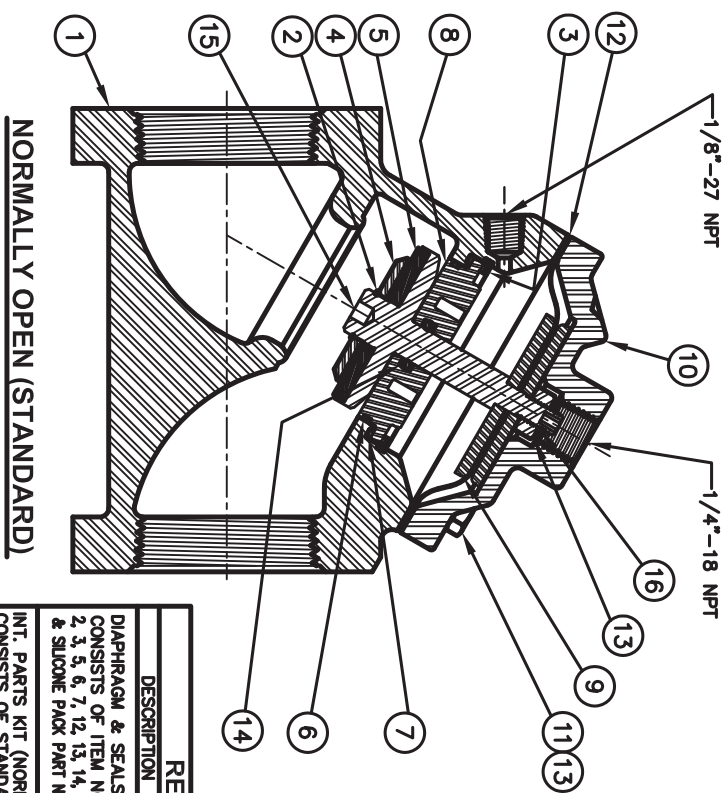


1-1/2" DIAPHRAGM VALVE - STAINLESS STEEL



MODEL: V46E-0200-03000 (THREADED)

MODEL: V46E-3200-03000 (FLANGED)

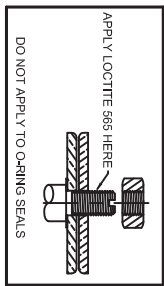


FLANGES PER ASTM B16.5 CLASS 150 AND ISO 7005-1 PN20

REPAIR PARTS KITS			
DESCRIPTION	PART NO.	DESCRIPTION	PART NO.
DIAPHRAGM & SEALS KIT CONSISTS OF ITEM NOS 2, 3, 5, 6, 7, 12, 13, 14, 17 & 28 & SILICONE PACK PART NO. 1071465	1236768	BUNA N E.P.D.M. INCLUDES DIAPHRAGM	1074222
INT. PARTS KIT (NORM. OPEN) CONSISTS OF STANDARD ITEM NOS 4, 8, 9(2), 15	1236780	FKM INCLUDES DIAPHRAGM	1236800

NO.	DESCRIPTION	STD	PART NO.	QTY.
1	BODY, 1.5" THREADED BSPT (316 SS)	*	1084204	1
2	REMAINING RING	*	1078562	1
3	DISC PLATE	*	1236749	1
4	DISC	*	1236752	1
5	O-RING (-031)	*	1074233	1
6	O-RING (-033)	*	1074236	1
7	O-RING (-110TC)	*	1071680	1
8	SHAFT GUIDE	*	1236777	1
9	DIAPHRAGM PLATE	*	1236751	1
10	CAP NPT	*	1236772	1
11	HEX SCREW	*	1236755	1
12	DIAPHRAGM	*	1236754	2
13	HEX NUT	*	1236753	1
14	O-RING (-110TC)	*	1236794	4
15	SHAFT	*	1074222	1
16	THREAD SEALER	*	1074224	1
		*	1075693	5
		*	1071689	1
		*	1071726	1
		*	1239021	1
		*	1084212	1

- NOTE:
- AMERICAN NATIONAL STANDARD TAPER PIPE THREADS (NPT) PER ANSI B1.20.1.
 - VALVES AVAILABLE IN BSPT CONFIGURATION. (SEE ITEM 1)



SEE SHEET 2 FOR CONFIGURATION OPTIONS

FORM NO. 1236757

REV	DESCRIPTION	ECO	DWN	DATE	APVD
F	ADDED LOCTITE APPLICATION BOX INFO	1713	MSM	06/07	

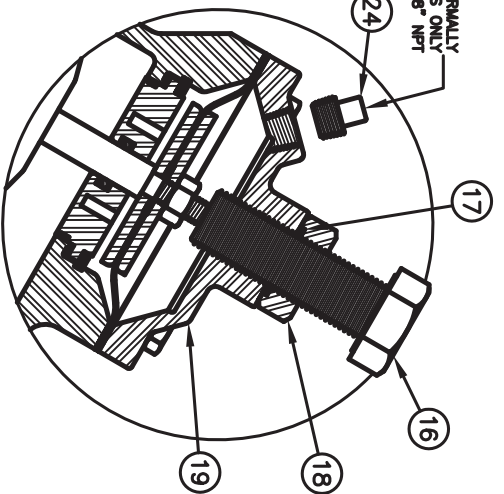
20360 Enterprise Avenue
Brookfield, WI 53045
888.784.9065
www.PentairWaterTreatment.com

Pentair Water

SERIES 464 DIAPHRAGM VALVE STANDARD MODEL

DRAWN: GES DATE: 03APR02 DRAWING NO: 1206159

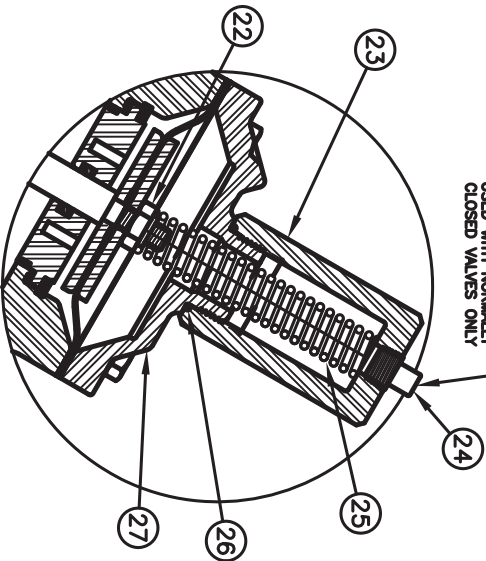
USED WITH NORMALLY
CLOSED VALVES ONLY
1/8" NPT



LIMIT STOP

MODEL: W4E-3210-03000 (FLANGED)
MODEL: W4E-0210-03000 (THEVISED)

USED WITH NORMALLY
CLOSED VALVES ONLY

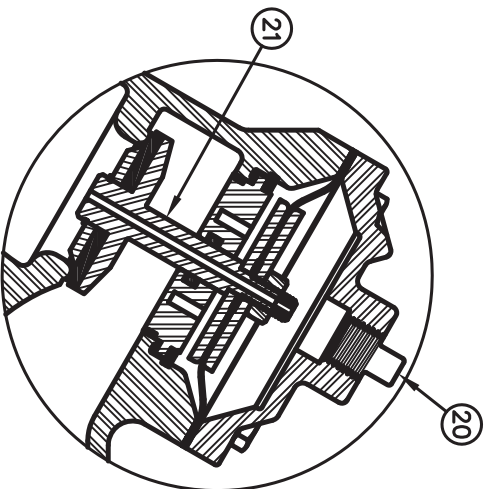


SPRING ASSIST CLOSED

MODEL: W4E-3202-03000 (FLANGED)
MODEL: W4E-0202-03000 (THEVISED)

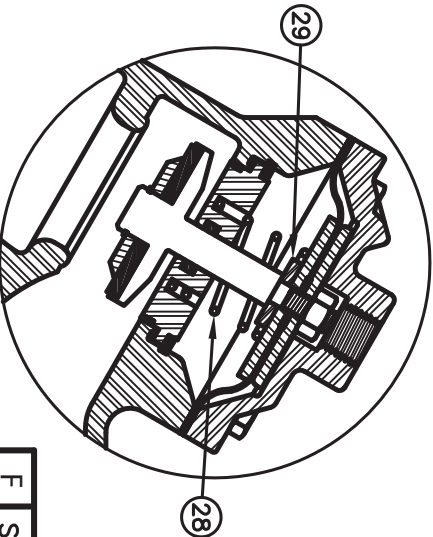
CONVERSION KITS

DESCRIPTION	PART NO.
CONVERSION KIT (LIMIT STOP)	1236785
CONSISTS OF STANDARD ITEM NO'S 16,17,18,19	
CONVERSION KIT (SPRING ASSIST CLOSED)	1236786
CONSISTS OF STANDARD ITEM NO'S 22,23,24,25,26,27	
CONVERSION KIT (SPRING ASSIST OPEN)	1236784
CONSISTS OF STANDARD ITEM NO'S 28,29	



NORMALLY CLOSED

MODEL: W4E-3230-03000 (FLANGED)
MODEL: W4E-0230-03000 (THEVISED)



SPRING ASSIST OPEN

MODEL: W4E-3201-03000 (FLANGED)
MODEL: W4E-0201-03000 (THEVISED)

REPAIR PARTS KITS

DESCRIPTION	PART NO.
INT. PARTS KIT (LIMIT STOP)	1236781
CONSISTS OF STANDARD ITEM NO'S 16,17,18	
INT. PARTS KIT (NORMALLY CLOSED)	1236782
CONSISTS OF STANDARD ITEM NO'S 4,8,9(2),21	
INT. PARTS KIT (SPRING ASSIST CLOSED)	1236783
CONSISTS OF STANDARD ITEM NO'S 22,23,24,25,26	
INT. PARTS KIT (SPRING ASSIST OPEN)	1236784
CONSISTS OF STANDARD ITEM NO'S 28, 29	

NO.	DESCRIPTION	STD	PART NO.	QTY.
LIMIT STOP MODEL				
16	SCREW		316 SS	1078676
17	O-RING (-112)		BUNA N	1071690
18	STOP NUT		316 SS	1078678
19	CAP, NPT		CAST CF8M	1236759

NORMALLY CLOSED MODEL

20	PIE PLUG, 1/4" NPT		316 SS	1078592
21	SHFT (NORMALLY CLOSED)		316 SS	1236762

SPRING ASSIST CLOSED MODEL

22	CENTERING NUT		316 SS	1078596
23	RETAINER NUT		316 SS	1236763
24	PIE PLUG (1/8" NPT)		316 SS	1078600
25	SPRING		316 SS	1236764
26	O-RING (-020)		BUNA N	1071674
27	CAP		CAST CF8M	1236765

SPRING ASSIST OPEN MODEL

28	SPRING		316 SS	1236766
29	CENTERING WASHER		316 SS	1236665

NOTE:

1. SPRING ASSIST CLOSED MODEL CANNOT BE COMBINED WITH LIMIT STOP MODEL.

SEE SHEET 1 FOR STANDARD
NORMALLY OPEN MODEL

FORM NO. 1236757



Pentair
Water

20580 Enterprise Avenue
Brookfield, WI 53045
888.784.9095
www.Pentairwatertreatment.com

**SERIES 464 DIAPHRAGM VALVE
STANDARD MODEL**

DRAWN

GES

DATE

03APR02

DRAWING NO.

1206159

1-1/2" DIAPHRAGM VALVE - STAINLESS STEEL