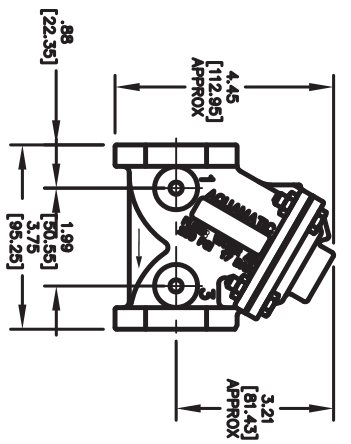


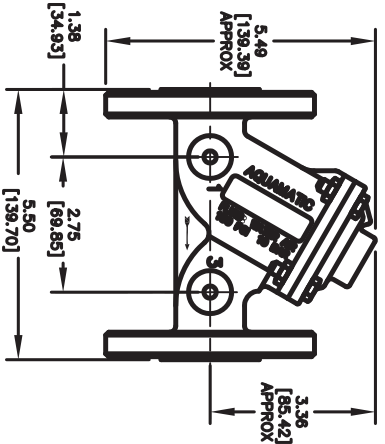
1" DIAPHRAGM VALVE - STAINLESS STEEL

THREADED



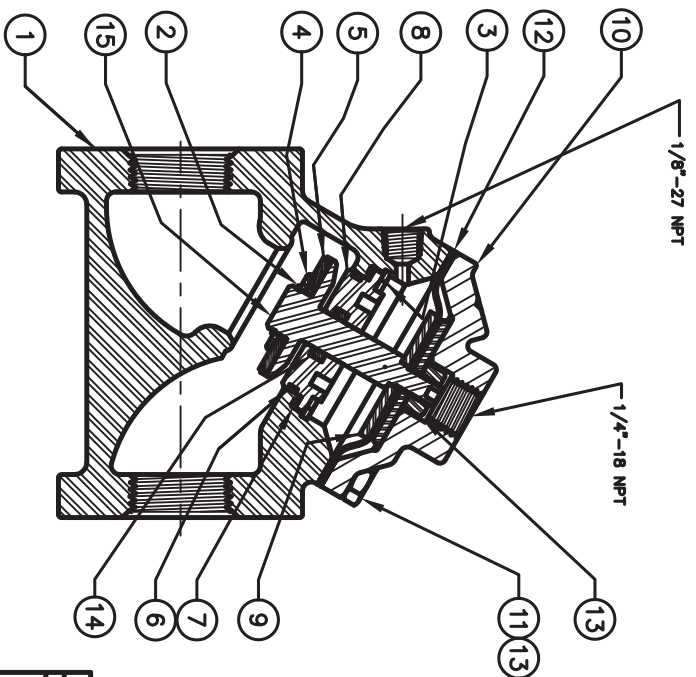
MODEL: **VA6C-0200-03000 (THREADED)**

FLANGED

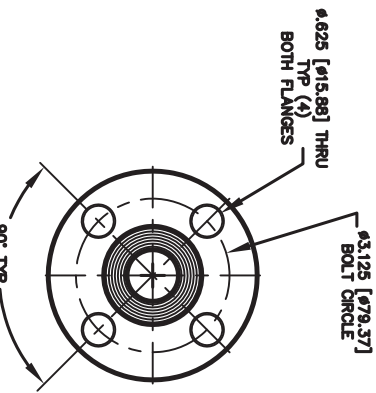


MODEL: **VA6C-3200-03000 (FLANGED)**

INCHES [MILLIMETERS]



NORMALLY OPEN (STANDARD)



FLANGES PER ASTM B16.5 CLASS 150 AND ISO 7005-1 PN20



REPAIR PARTS KITS	
DESCRIPTION	PART NO.
DIAPHRAGM & SEALS KIT	1078620
CONSISTS OF ITEM NOS	1078621
2, 3, 5, 6, 7, 12, 13, 14, 17 & 28	1078622
& SILICONE PACK PART NO. 1071465	1078623
1074119	1078624
1074119	1078625
1074120	1078626
1074120	1078627
1074120	1078628
1074120	1078629
1074120	1078630
1074120	1078631
1074120	1078632
1074120	1078633
1074120	1078634
1074120	1078635
1074120	1078636
1074120	1078637
1074120	1078638
1074120	1078639
1074120	1078640
1074120	1078641
1074120	1078642
1074120	1078643
1074120	1078644
1074120	1078645
1074120	1078646
1074120	1078647
1074120	1078648
1074120	1078649
1074120	1078650
1074120	1078651
1074120	1078652
1074120	1078653
1074120	1078654
1074120	1078655
1074120	1078656
1074120	1078657
1074120	1078658
1074120	1078659
1074120	1078660
1074120	1078661
1074120	1078662
1074120	1078663
1074120	1078664
1074120	1078665
1074120	1078666
1074120	1078667
1074120	1078668
1074120	1078669
1074120	1078670
1074120	1078671
1074120	1078672
1074120	1078673
1074120	1078674
1074120	1078675
1074120	1078676
1074120	1078677
1074120	1078678
1074120	1078679
1074120	1078680
1074120	1078681
1074120	1078682
1074120	1078683
1074120	1078684
1074120	1078685
1074120	1078686
1074120	1078687
1074120	1078688
1074120	1078689
1074120	1078690
1074120	1078691
1074120	1078692
1074120	1078693
1074120	1078694
1074120	1078695
1074120	1078696
1074120	1078697
1074120	1078698
1074120	1078699
1074120	1078700
1074120	1078701
1074120	1078702
1074120	1078703
1074120	1078704
1074120	1078705
1074120	1078706
1074120	1078707
1074120	1078708
1074120	1078709
1074120	1078710
1074120	1078711
1074120	1078712
1074120	1078713
1074120	1078714
1074120	1078715
1074120	1078716
1074120	1078717
1074120	1078718
1074120	1078719
1074120	1078720
1074120	1078721
1074120	1078722
1074120	1078723
1074120	1078724
1074120	1078725
1074120	1078726
1074120	1078727
1074120	1078728
1074120	1078729
1074120	1078730
1074120	1078731
1074120	1078732
1074120	1078733
1074120	1078734
1074120	1078735
1074120	1078736
1074120	1078737
1074120	1078738
1074120	1078739
1074120	1078740
1074120	1078741
1074120	1078742
1074120	1078743
1074120	1078744
1074120	1078745
1074120	1078746
1074120	1078747
1074120	1078748
1074120	1078749
1074120	1078750
1074120	1078751
1074120	1078752
1074120	1078753
1074120	1078754
1074120	1078755
1074120	1078756
1074120	1078757
1074120	1078758
1074120	1078759
1074120	1078760
1074120	1078761
1074120	1078762
1074120	1078763
1074120	1078764
1074120	1078765
1074120	1078766
1074120	1078767
1074120	1078768
1074120	1078769
1074120	1078770
1074120	1078771
1074120	1078772
1074120	1078773
1074120	1078774
1074120	1078775
1074120	1078776
1074120	1078777
1074120	1078778
1074120	1078779
1074120	1078780
1074120	1078781
1074120	1078782
1074120	1078783
1074120	1078784
1074120	1078785
1074120	1078786
1074120	1078787
1074120	1078788
1074120	1078789
1074120	1078790
1074120	1078791
1074120	1078792
1074120	1078793
1074120	1078794
1074120	1078795
1074120	1078796
1074120	1078797
1074120	1078798
1074120	1078799
1074120	1078800

- NOTES:
1. AMERICAN NATIONAL STANDARD TAPER PIPE THREADS (NPT) PER ANSI B1.20.1.
 2. VALVES AVAILABLE IN BSPT CONFIGURATION. (SEE ITEM 1)

SEE SHEET 2 FOR CONFIGURATION OPTIONS

FORM NO. 1078633

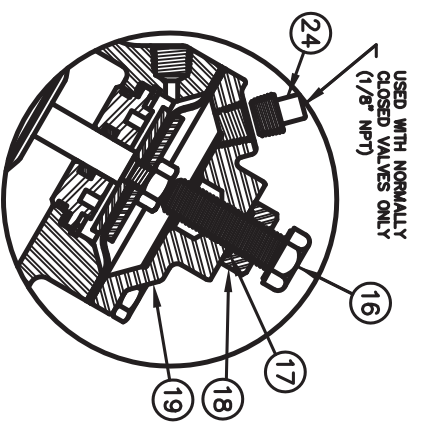
REV	DESCRIPTION	INFO	ECO	DWN	DATE	APVD
D	ADDED LOCTITE APPLICATION BOX	1713	MSM	26JUN07		

Pentair Water
 20580 Enterprise Avenue
 Brookfield, WI 53045
 888.784.9065
 www.pentairwatertreatment.com

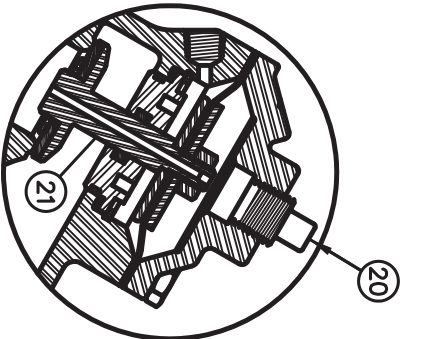
SERIES 461 DIAPHRAGM VALVE STANDARD MODEL

DRAWN	DATE	DRAWING NO.
GES	03APR02	1078634

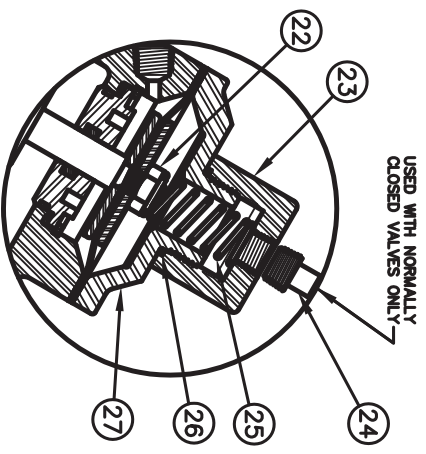
1" DIAPHRAGM VALVE - STAINLESS STEEL



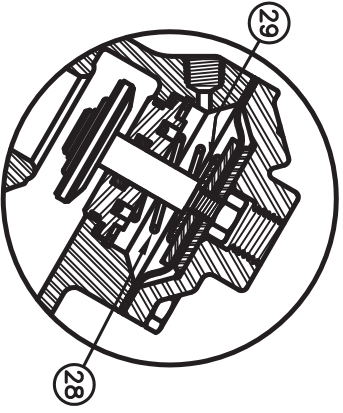
LIMIT STOP
 MODEL: V46C-3210-03000 (FLANGED)
 MODEL: V46C-0210-03000 (THREADED)



NORMALLY CLOSED
 MODEL: V46C-3230-03000 (FLANGED)
 MODEL: V46C-0230-03000 (THREADED)



SPRING ASSIST CLOSED
 MODEL: V46C-3202-03000 (FLANGED)
 MODEL: V46C-0202-03000 (THREADED)



SPRING ASSIST OPEN
 MODEL: V46C-3201-03000 (FLANGED)
 MODEL: V46C-0201-03000 (THREADED)

CONVERSION KITS	
DESCRIPTION	PART NO.
CONVERSION KIT (LIMIT STOP)	1078629
CONSISTS OF STANDARD ITEM NO'S 16,17,18,19	
CONVERSION KIT (SPRING ASSIST CLOSED)	1078630
CONSISTS OF STANDARD ITEM NO'S 22,23,24,25,26,27	
CONVERSION KIT (SPRING ASSIST OPEN)	1078627
CONSISTS OF STANDARD ITEM NO'S 28, 29	

REPAIR PARTS KITS	
DESCRIPTION	PART NO.
INT. PARTS KIT (LIMIT STOP)	1078624
CONSISTS OF STANDARD ITEM NO'S 16,17,18	
INT. PARTS KIT (NORMALLY CLOSED)	1078625
CONSISTS OF STANDARD ITEM NO'S 4,8,9(2),21	
INT. PARTS KIT (SPRING ASSIST CLOSED)	1078626
CONSISTS OF STANDARD ITEM NO'S 22,25,26	
INT. PARTS KIT (SPRING ASSIST OPEN)	1078627
CONSISTS OF STANDARD ITEM NO'S 28, 29	

NO.	DESCRIPTION	STD	PART NO.	QTY.
LIMIT STOP MODEL				
16	SCREW	316 SS	*	1078676
17	O-RING (-112)	BUNA	*	1071690
18	STOP NUT	316 SS	*	1078678
19	CAP. NPT	CAST CF8M	*	1078590
NORMALLY CLOSED MODEL				
20	PIPE PLUG, 1/4" NPT	316 SS	*	1078592
21	SPRT (NORMALLY CLOSED)	316 SS	*	1078594
SPRING ASSIST CLOSED MODEL				
22	CENTERING NUT	316 SS	*	1078596
23	RETAINER NUT	316 SS	*	1078598
24	PIPE PLUG (1/8" NPT)	316 SS	*	1078600
25	SPRING	316 SS	*	1078602
26	O-RING (-020)	BUNA	*	1071674
27	CAP	CAST CF8M	*	1078604
SPRING ASSIST OPEN MODEL				
28	SPRING	316 SS	*	1078608
29	CENTERING WASHER	316 SS	*	1236665

NOTE:
 1. SPRING ASSIST CLOSED MODEL CANNOT BE COMBINED WITH LIMIT STOP MODEL.

SEE SHEET 1 FOR STANDARD NORMALLY OPEN MODEL

FORM NO. 1078633

REV	DESCRIPTION	ECO	DWN	DATE	APVD
D	SEE REVERSE SIDE	1713	MSM	%LIMIT	

20580 Enterprise Avenue
 Brookfield, WI 53045
 888.784.9065
 www.PentairWaterTreatment.com

SERIES 461 DIAPHRAGM VALVE
STANDARD MODEL

DRAWN	DATE	DRAWING NO.
GES	03APR02	1078634