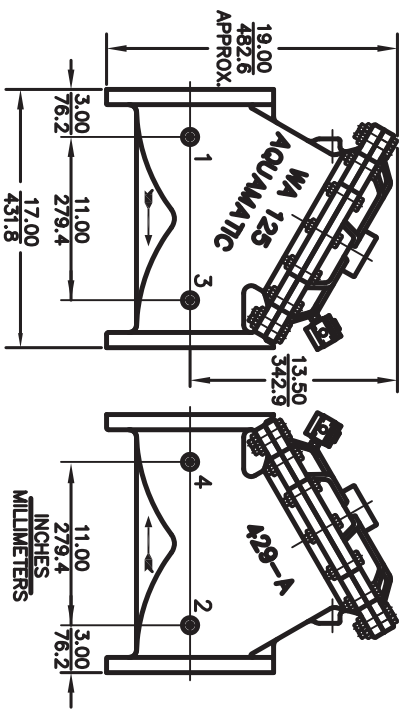


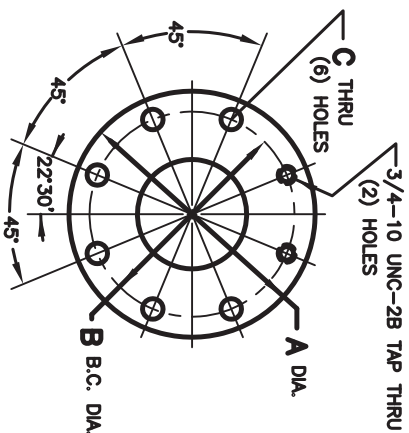
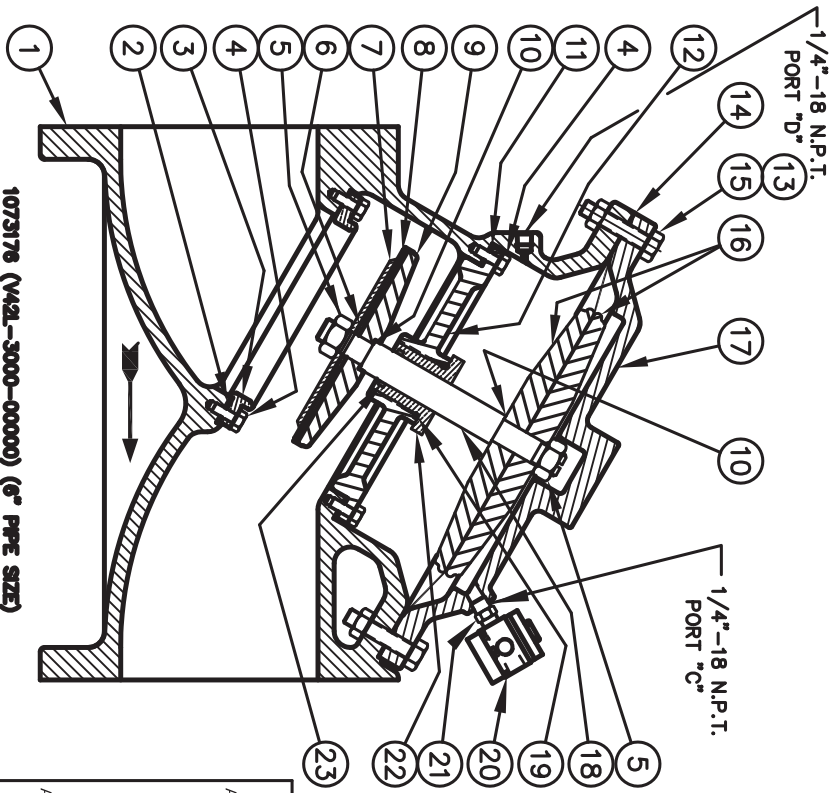
6" DIAPHRAGM VALVE - STANDARD MODEL



REPAIR PARTS KITS			
DESCRIPTION	PART NO.		
DIAPHRAGM & SEALS KIT CONSISTS OF ITEM NOS 2,5(2),8,10(2),11,14,19,23	1070074 (429-RA)	1070080 (429-RN)	
	BUNA N	FKM	
	INCLUDES DIAPHRAGM DIAPHRAGM		
	1074622 (429-RB)	1074623 (429-R)	
INT. PARTS KIT (NORM. OPEN) CONSISTS OF STANDARD ITEM NOS 4,(12)6,7,9,12,16(2),18,22	1074653 (429-RF)		
SEAT	ITEM NO. 3,4(8)		1074640 (429-MO)

NOTE:
1. AMERICAN NATIONAL STANDARD TAPER PIPE
THREADS (NPT) PER ANSI B2.1-1968

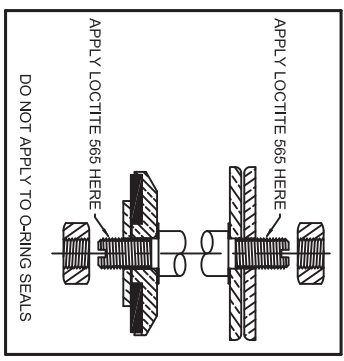
FLANGE STYLE	A	B	C
AMERICAN	11,000	9,500	.875



NO.	DESCRIPTION	STD	PART NO.	QTY.
1	BODY	* CAST IRON	1074613 (429-A)	1
2	SEAT GASKET	* BUNA N	1074642 (429-N)	1
3	SEAT	* BRASS	1074643 (429-NV)	1
4	HEX SCREW (5/16-18X3/4)	* BRASS	1072355 (SOS-0011)	20
5	HEX NUT (3/4"-16)	* BRASS	3001191	2
6	DISC SPACER	* BRASS	1074628 (429-HA)	1
7	DISC PLATE	* BRASS	1074634 (429-K)	1
8	DISC	* HYCAR	1074632 (429-JH)	1
9	DISC HOLDER	* FKM	1074633 (429-JV)	1
10	GASKET	* COPPER	1074627 (429-H)	1
11	CENTERING PLATE	* BUNA N	1074644 (429-O)	1
12	CENTERING PLATE	* FKM	1074645 (429-OV)	1
13	HEX NUT	* CAST IRON	1074625 (429-GO)	1
14	DIAPHRAGM	* PLATED STEEL	1074659 (NIUZ-0021)	16
15	HEX SCREW	* BUNA N	1074622 (429-FB)	1
16	DIAPHRAGM PLATE	* FKM	1074623 (429-FV)	1
17	CAP	* PLATED STEEL	1072410 (SCZ-0036)	16
18	SHAFT (NORMALLY OPEN)	* BRASS	1074620 (429-D)	2
19	O-RING	* CAST IRON	1074615 (429-C)	1
20	AUXILIARY PILOT VALVE	* BUNA N	1074636 (429-L)	1
21	HEX NIPPLE	* FKM	1077820 (ORB-223)	1
22	SHAFT GUIDE	* BRASS	1071820 (ORB-223)	1
23	O-RING	* BRASS	1074661 (429-VP)	1
		* BUNA N	1081648 (510-CM)	1
		* FKM	1074646 (429-P)	1
		* BRASS	1242721 (ORB-214TC)	1
		* FKM	1242396 (ORB-214TC)	1

SEE REVERSE SIDE FOR
CONFIGURATION OPTIONS

FORM NO. 1077619



1073176 (429-3000-0000) (6" PPE SIZE)
NORMALLY OPEN (STANDARD)

L	ADDED LOCTITE APPLICATION BOX INFO	1713	MSM	30MAY07	APVD
REV	DESCRIPTION	ECO	DWN	DATE	

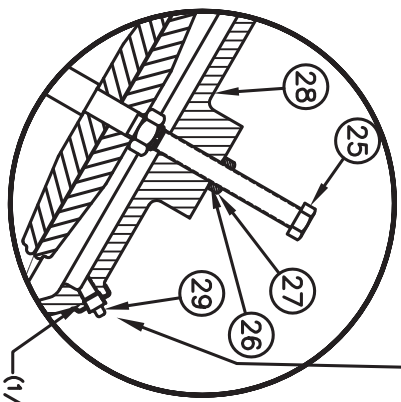
20680 Enterprise Avenue
Brookfield, WI 53045
888.784.9065
www.PentairWaterTreatment.com

Pentair Water

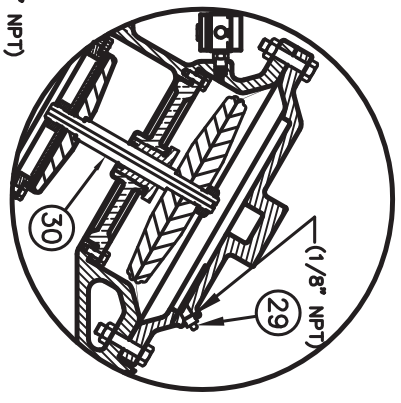
**SERIES 429 DIAPHRAGM VALVE
STANDARD MODEL**

DRAWN: JWVB DATE: 08MAY01 DRAWING NO: 1084024

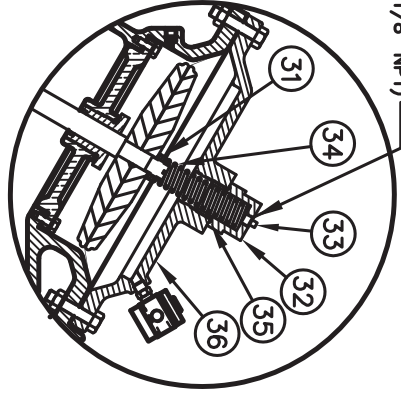
(USED WITH NORMALLY CLOSED VALVES ONLY)



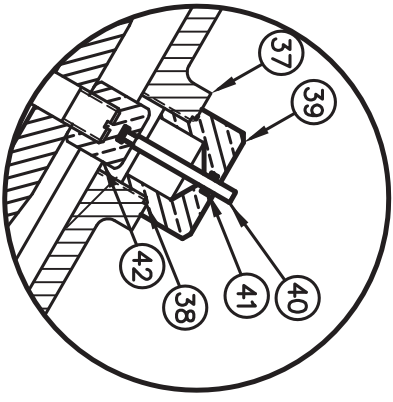
1073184 (V42L-3010-00000)
LIMIT STOP



1073187 (V42L-3030-00000)
NORMALLY CLOSED

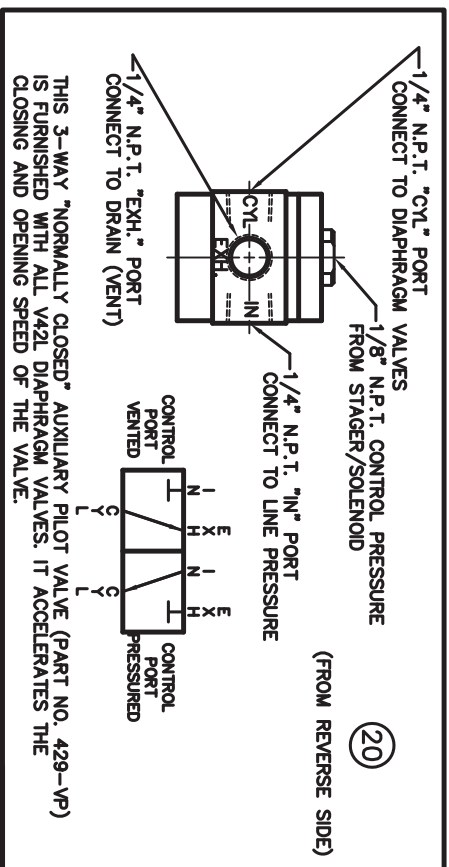


V42L-3002-00000
SPRING ASSIST CLOSED



V42L-3020-00000

POSITION INDICATOR



DESCRIPTION	PART NO.
CONVERSION KIT (LIMIT STOP) CONSISTS OF STANDARD ITEM NO'S 25,26,27,28	1074639 (429-LS)
CONVERSION KIT (SPRING ASSIST CLOSED) CONSISTS OF STANDARD ITEM NO'S 31 THRU 36	1074656 (429-SC)
CONVERSION KIT (POSITION INDICATOR) CONSISTS OF STANDARD ITEM NO'S 37 THRU 42	1074648 (429-PI)

DESCRIPTION	PART NO.
INT. PARTS KIT (LIMIT STOP) CONSISTS OF STANDARD ITEM NO'S 25,26,27	1074636 (429-LS)
INT. PARTS KIT (NORM. CLOSED) CONSISTS OF STANDARD ITEM NO'S 4,(1,2),6,7,9,12,16(2),22,30	1074654 (429-R)
INT. PARTS KIT (SPRING ASSIST CLOSED) CONSISTS OF STANDARD ITEM NO'S 31,34,35	1074655 (429-SC)
INT. PARTS KIT (POSITION INDICATOR) CONSISTS OF STD ITEM NO'S 37 THRU 42	1074647 (429-PI)

REV	DESCRIPTION	ECO	DWN	DATE	APVD
L	SEE REVERSE SIDE	1713	MSM	08MAY07	

20380 Enterprise Avenue
 Brookfield, WI 53045
 888.794.9065
 www.pentairwatertreatment.com

SERIES 429 DIAPHRAGM VALVE
STANDARD MODEL

DRAWN	JWB	DATE	08MAY01	DRAWING NO.	1084024
-------	-----	------	---------	-------------	---------

NO.	DESCRIPTION	STD	PART NO.	QTY.
LIMIT STOP MODEL				
25	SCREW	*	1074680 (429-U)	1
26	O-RING	*	1076890 (08B-112)	1
27	NUT	*	1074434 (426-U)	1
28	CAP	*	1074617 (429-03C)	1

NORMALLY CLOSED MODEL				
29	PIPE PLUG (1/4" N.P.T.)	*	1071918 (PZ-0008)	1
			1071904 (PB-0008)	
			1071915 (P.S.-0001)	
30	SHAFT (NORMALLY CLOSED)	*	1074657 (429-L)	1

SPRING ASSIST CLOSED MODEL				
31	CENTERING NUT	STN. ST.	* 1074663 (429-X)	1
32	RETAINER NUT	BRASS	* 1074659 (429-T)	1
33	PIPE PLUG (1/8" N.P.T.)	PLATED STEEL	* 1071917 (PZ-0005)	
		BRASS	* 1071903 (PB-0007)	1
34	SPRING	STN. STL.	* 1071916 (P.S.-0002)	
			* 1074657 (429-SS)	1
35	O-RING		* 1073839 (08B-222)	1
36	CAP	CAST IRON	* 1074616 (429-0C)	1

POSITION INDICATOR MODEL				
37	CAP	CAST IRON	* 1074618 (429-0F)	1
38	O-RING		* 1076894 (08B-128)	1
39	SHAFT GUIDE BUSHING		* 1074624 (429-0F)	1
40	INDICATOR SHAFT		* 1074649 (429-PI)	1
41	O-RING		* 1076888 (08B-1091C)	1
42	TOP NUT		* 1074658 (429-1B)	1

- NOTE:
1. SPRING ASSIST CLOSED MODEL CANNOT BE COMBINED WITH LIMIT STOP OR POSITION INDICATOR MODELS.
 2. SPRING ASSIST OPEN MODEL NOT AVAILABLE.

SEE REVERSE SIDE FOR STANDARD NORMALLY OPEN MODEL

FORM NO. 1077619