

REVISIONS					
ZONE	ECN	REV.	DESCRIPTION	DATE	APP'D
		L	1-BR1074382 & BR1074384 REMOVED; 2-REMOVED SS OPTION FROM ITEMS 2,4,7,10,11; 3-REDRAWN IN SOLIDWORKS; 4-RENAMED TO DWG 1077616	08-02-10	MHM
	31539	M	1-WAS:1074402 , 2-WAS:1074400	11-05-10	MHM
	32173	N	CORRECTED ROTATION OF CAPS	17FEB11	MHM

No.	DESCRIPTION	PART No.	QTY
1	BODY	CAST IRON	2" NPT 1074343 (426-A8)
		CAST IRON	2 1/2" NPT 1081559 (426-A10)
	CAST BRASS	2" NPT 1074338 (426-AB8)	1
		2 1/2" NPT 1074335 (426-AB10)	
2	SEAT; BRASS (REQ'S ASSY TOOL)	1074409 (426-MO)	1
3	HEX NUT (5/16-24)	1263853	2
4	DISC PLATE, BRASS	1074395 (426-K)	1
5	O-RING	BUNA N	1071696 (ORB-144)
		EPDM	1071737 (ORE-144)
		FKM	1071809 (ORV-144)
6	DISC	BUNA	1074389 (426-J)
		EPDM	1074391 (426-JE)
		FKM	1074394 (426-JV)
		HYCAR	1074392 (426-JH)
7	DISC HOLDER, BRASS	1074381 (426-H)	1
8	GASKET, COPPER	1074252 (424-R)	2
9	O-RING	BUNA N	1071706 (ORB-233)
		EPDM	1071754 (ORE-233)
		FKM	1071826 (ORV-233)
10	SHAFT GUIDE; BRASS (REQ'S ASSY TOOL)	1074379 (426-GO)	1
11	DIAPHRAGM PLATE; BRASS	1074370 (426-D)	2
12	CAP	CAST IRON	1081560 (426-C)
		CAST BRASS	1074348 (426-CB)
13	HEX SCREW	PLATED STEEL	1072401 (SCZ-0015)
		STN. STL.	1072358 (SCS-0016)
14	DIAPHRAGM	BUNA N	1074374 (426-FB)
		FKM	1074376 (426-FV)
15	HEX NUT	PLATED STEEL	1071657 (NUZ-0011)
		STN. STL.	1071655 (NUS-0035)
16	O-RING	BUNA N	1071691 (ORB-114TC)
		EPDM	1071729 (ORE-114TC)
		FKM	1242391 (ORV-114TC)
17	SHAFT (NORMALLY OPEN)	1074401 (426-L)	1

REPAIR PARTS KITS			
DIAPHRAGM & SEALS KIT CONSISTS OF ITEM NO'S 3(2),5,6,8(2),9,14,16	1070071 (426-RA)	1070084 (426-RAE)	1070096 (426-RAV)
	BUNA N INCLUDES DIAPHRAGM 1074374 (426-FB)	EPDM INCLUDES DIAPHRAGM 1074374 (426-FB)	FKM INCLUDES DIAPHRAGM 1074376 (426-FV)
INT. PARTS KIT (NORM. OPEN) CONSISTS OF STANDARD ITEM NO'S 4,7,10,11(2),17	1074411 (426-MT)		
SEAT (ITEM NO. 2)	1074409 (426-MO)		

ASSEMBLY TOOLS	
DESCRIPTION	PART NO.
FOR INSTALLATION & REMOVAL OF SEAT (ITEM #2) (TOOL NOT SHOWN)	1074411 (426-MT)
FOR INSTALLATION & REMOVAL OF SHAFT GUIDE (ITEM #10) (TOOL NOT SHOWN)	1-1/4" HEX SOCKET

- NOTE:
- AMERICAN NATIONAL STANDARD TAPER PIPE THREADS (NPT) PER ANSI B2.1-1968.
 - VALVES AVAILABLE WITH BSPT END CONNECTIONS.

LAST SAVED IN SMARTTEAM 8/17/2011 3:08:22 PM
 CRITICALITY SYMBOLS PER QPSP-001.2
 □ LEVEL I ■ LEVEL II ■ LEVEL III

THIS DOCUMENT IS SOLELY THE PROPERTY OF PENTAIR WATER TREATMENT. REPRODUCTION, USE DISCLOSURE, OR TRANSMISSION OF THIS DOCUMENT OR DETAILS CONTAINED HEREIN, IN PART OR IN WHOLE, IS PROHIBITED WITHOUT THE WRITTEN CONSENT OF PENTAIR WATER TREATMENT ENGINEERING. THIS DOCUMENT AND ANY COPIES SHALL BE RETURNED TO PENTAIR WATER TREATMENT UPON WRITTEN REQUEST.

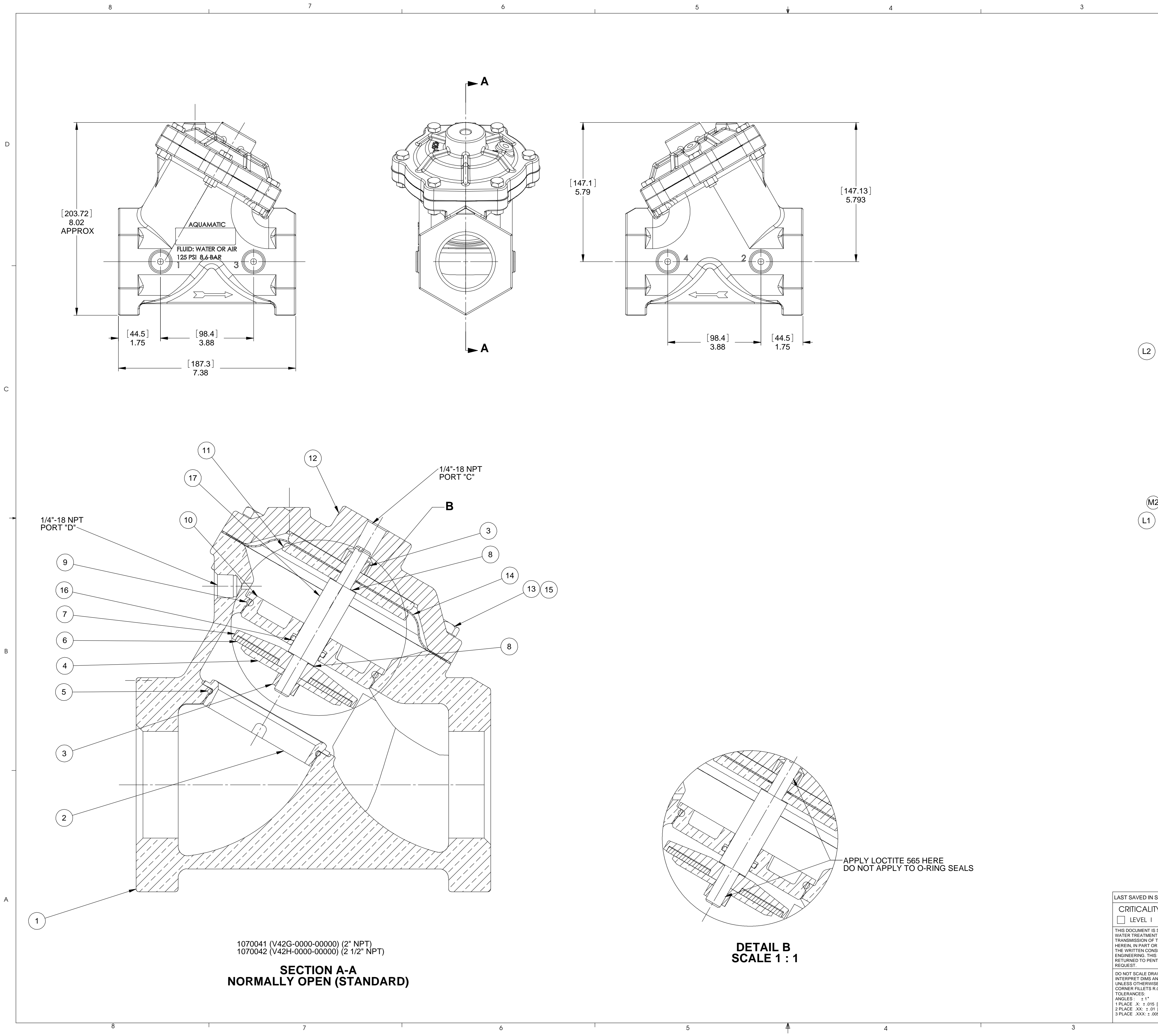
DO NOT SCALE DRAWINGS. DIMS. ARE IN INCHES (mm) UNLESS OTHERWISE SPECIFIED.
 CORNER FILLETS R.005 (0.001) (127-508)

TOLERANCES:
 ANGLES: ± 1°
 1 PLACE X: ± 0.15 (0.38)
 2 PLACE XX: ± 0.01 (0.3)
 3 PLACE XXX: ± 0.05 (0.31)

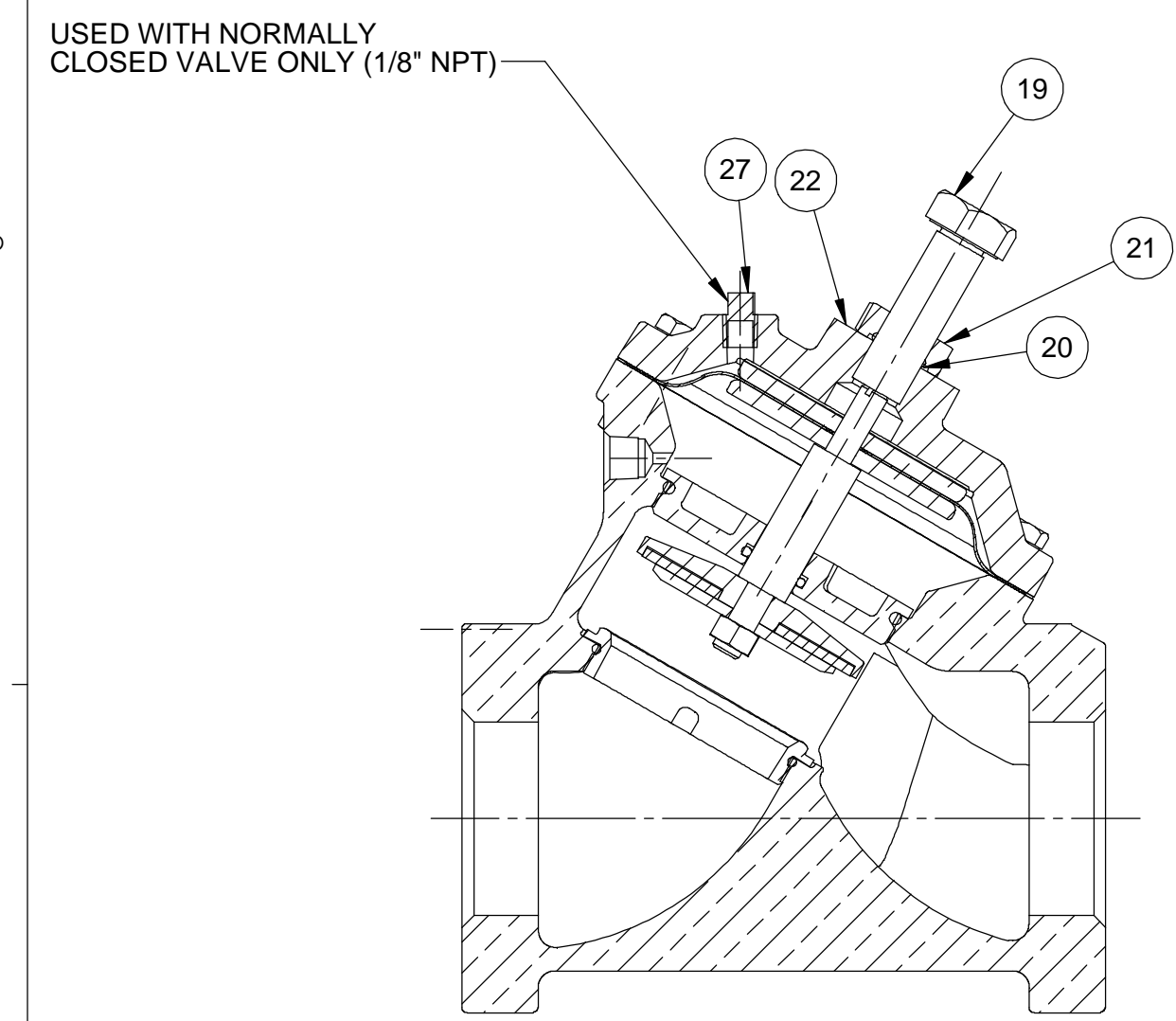
THIS DRAWING MUST BE COMPARED TO THE ERP SYSTEM TO ENSURE CORRECT REVISION LEVEL PRIOR TO USE.

THIRD ANGLE PROJECTION	APPROVALS	DATE		Pentair Water Brookfield P.O. BOX 730 BROOKFIELD, WI 53008-0730
APPROVED	NAME	8/2/2010		
CHECKED	NAME	DATE		

TITLE: CATALOG SHEET, 426 DIAPHRAGM VALVE
 DWG NO. BR1077616
 SCALE: 1:2
 SOLIDWORKS FORMAT
 SHEET 1 OF 2

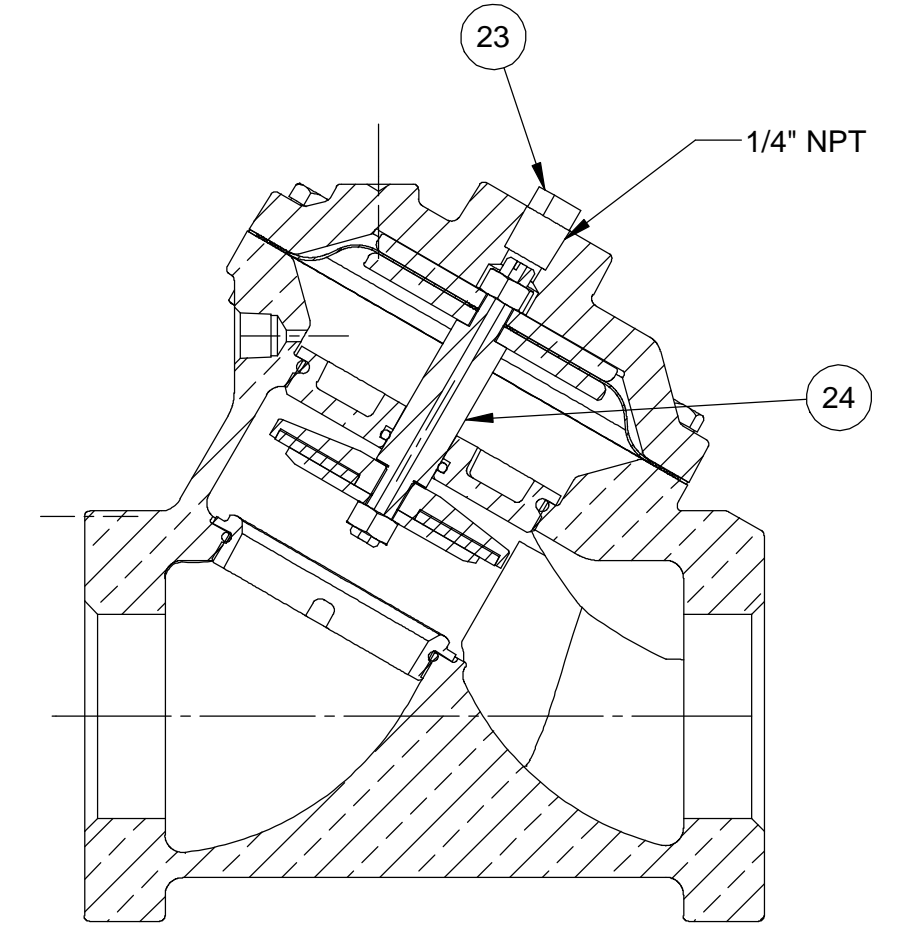


REVISIONS					
ZONE	ECN	REV.	DESCRIPTION	DATE	APP'D
SEE SHEET 1 FOR REVISION DETAILS					



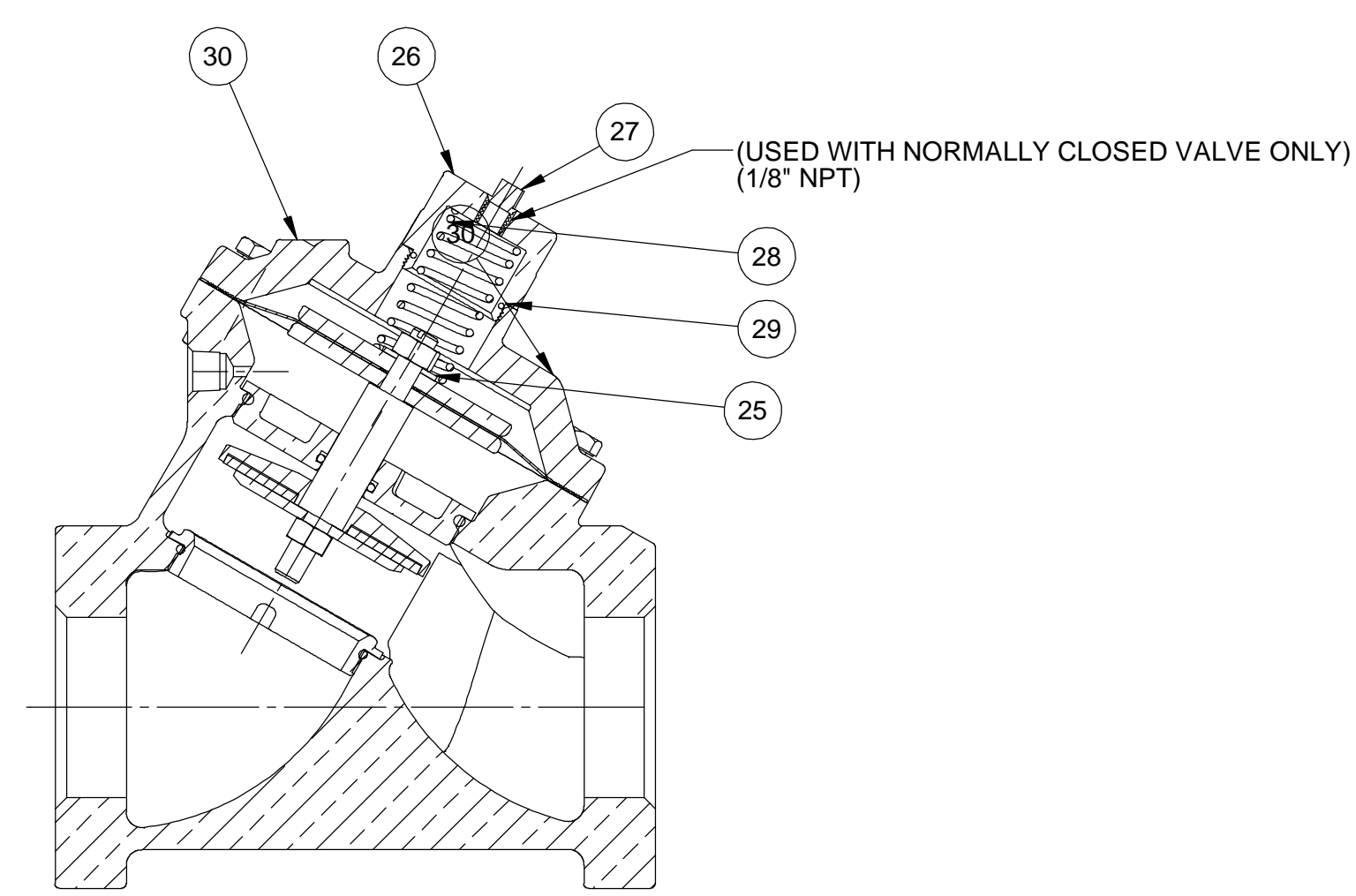
1072939 (V42G-0010-00000) (2\"/>

**SECTION A-A
LIMIT STOP**



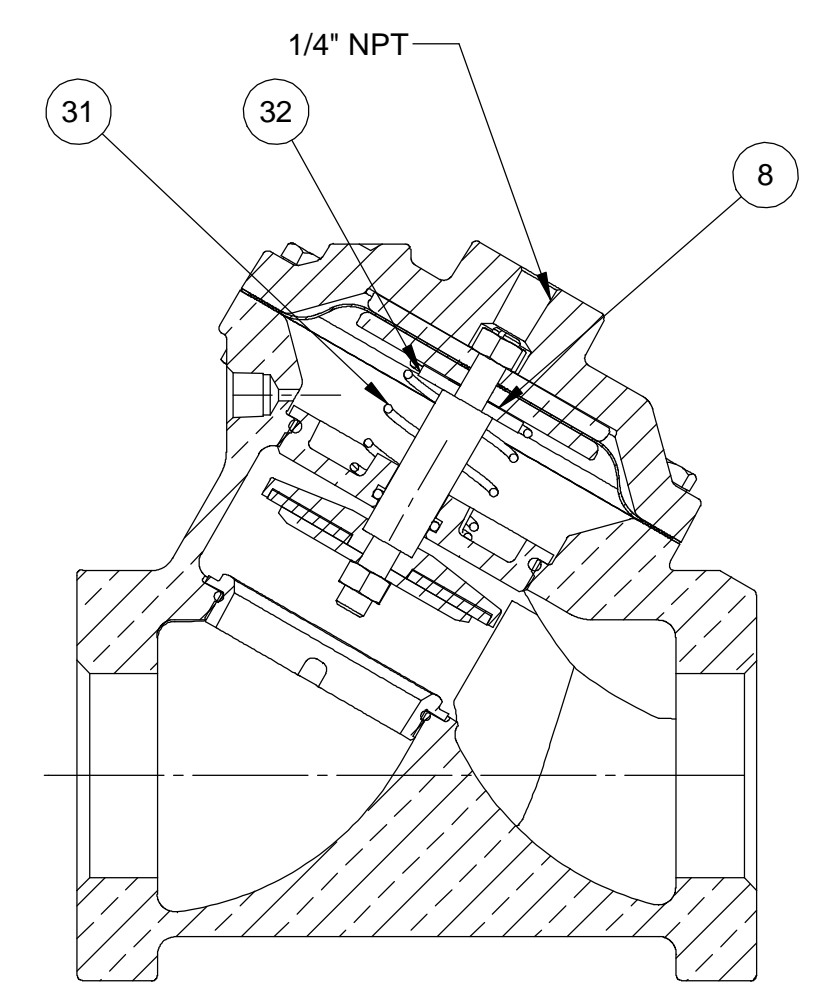
1072945 (V42G-0030-00000) (2\"/>

**SECTION A-A
NORMALLY CLOSED**



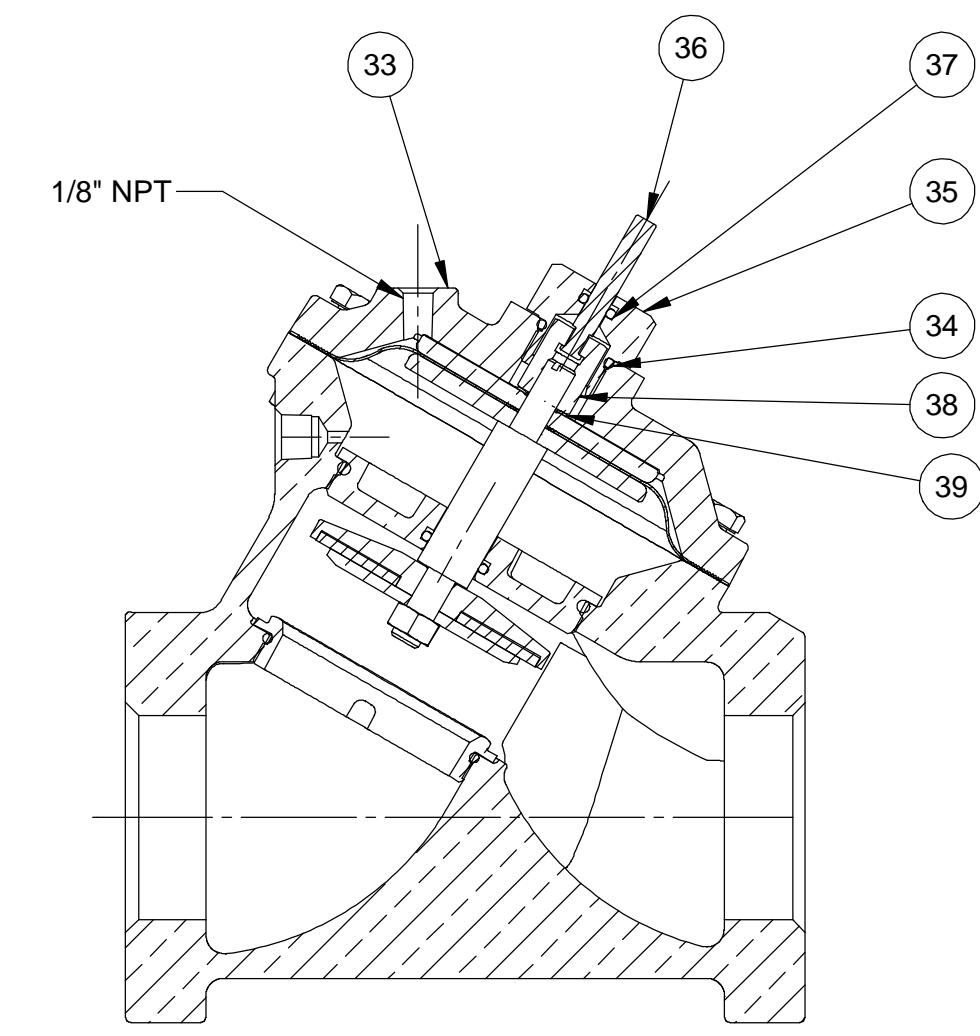
1072935 (V42G-0002-00000) (2\"/>

**SECTION A-A
SPRING ASSIST CLOSED**



1072932 (V42G-0001-00000) (2\"/>

**SECTION A-A
SPRING ASSIST OPEN**



1072943 (V42G-0021-00000) (2\"/>

**SECTION A-A
POSITION NORMALLY OPEN MODEL**

No.	DESCRIPTION	PART No.	QTY
LIMIT STOP MODEL			
19	SCREW	1078676	1
20	O-RING	1071690 (ORB-112)	1
21	NUT	1074434 (426-U)	1
22	CAP	CAST IRON	1074354 (426-CCC)
		BRASS	1074357 (426-CCCB)
NORMALLY CLOSED MODEL			
23	PIPE PLUG (1/4\"/> <td>PLATED STEEL</td> <td>1071918 (PLZ-0008)</td>	PLATED STEEL	1071918 (PLZ-0008)
		BRASS	1071904 (PLB-0009)
		STN. STL.	1071915 (PLS-0001)
(M1) 24	SHAFT (NORMALLY CLOSED)	43169 (426-LL)	1
SPRING ASSIST CLOSED MODEL			
25	CENTERING WASHER	BRASS	1074083 (421-AH)
		STN. STL.	1074084 (421-AHS)
26	RETAINER NUT	BRASS	1074430 (426-TT)
		STN. STL.	1078686
27	PIPE PLUG (1/8\"/> <td>PLATED STEEL</td> <td>1071917 (PLZ-0005)</td>	PLATED STEEL	1071917 (PLZ-0005)
		BRASS	1071903 (PLB-0007)
		STN. STL.	1071916 (PLS-0002)
28	SPRING	1078688	1
29	O-RING	1071677 (ORB-025)	1
30	CAP	CAST IRON	1074352 (426-CC)
		CAST BRASS	1074353 (426-CCB)
SPRING ASSIST OPEN MODEL			
8	COPPER GASKET	1074252 (424-R)	1
31	SPRING	1078692	1
32	CENTERING WASHER	BRASS	1074436 (426-V)
		STN. STL.	1074437 (426-VS)
POSITION INDICATOR MODEL			
33	CAP	CAST IRON	1074360 (426-CF)
		CAST BRASS	1074364 (426-CFB)
34	O-RING	1071692 (ORB-116)	1
35	SHAFT GUIDE BUSHING	1074121 (421-GF)	1
36	INDICATOR SHAFT	1074325 (425-PM)	1
37	O-RING	1071688 (ORB-108TC)	1
38	TOP NUT	1074332 (425-TB)	1
39	LOCKWASHER	1073590 (WAS-0007)	1

CONVERSION KITS	
DESCRIPTION	PART NO.
CONVERSION KIT (LIMIT STOP) CONSISTS OF STANDARD ITEM NO'S 19,20,21,22	1074406 (426-LSC)
CONVERSION KIT (SPRING ASSIST CLOSED) CONSISTS OF STANDARD ITEM NO'S 25 THRU 30	1074426 (426-SCC)
CONVERSION KIT (SPRING ASSIST OPEN) CONSISTS OF STANDARD ITEM NO'S 8,31,32	1074427 (426-SO)
CONVERSION KIT (POSITION INDICATOR) CONSISTS OF STANDARD ITEM NO'S 33 THRU 39	1074414 (426-PIC)

REPAIR PARTS KITS	
DESCRIPTION	PART NO.
INT. PARTS KIT (LIMIT STOP) CONSISTS OF STANDARD ITEM NO'S 19,20,21	1074405 (426-LS)
INT. PARTS KIT (NORM. CLOSED) CONSISTS OF STANDARD ITEM NO'S 4,7,10,11(2),24	1070132 (426-RG)
INT. PARTS KIT (SPRING ASSIST CLOSED) CONSISTS OF STANDARD ITEM NO'S 25,28,29	1074425 (426-SC)
INT. PARTS KIT (SPRING ASSIST OPEN) CONSISTS OF STANDARD ITEM NO'S 8,31,32	1074427 (426-SO)
INT. PARTS KIT (POSITION INDICATOR) CONSISTS OF STD ITEM NO'S 34 THRU 39	1074413 (426-PI)

- NOTE:
- SPRING ASSIST CLOSED MODEL CANNOT BE COMBINED WITH LIMIT STOP OR POSITION INDICATOR MODELS.
 - VALVES AVAILABLE WITH B.S.P. END CONNECTIONS.

LAST SAVED IN SMARTTEAM 8/17/2011 3:08:22 PM

CRITICALITY SYMBOLS PER QPSP-001.2

☐ LEVEL I ☒ LEVEL II ■ LEVEL III

THIS DRAWING MUST BE COMPARED TO THE ERP SYSTEM TO ENSURE CORRECT REVISION LEVEL PRIOR TO USE.

THIRD ANGLE PROJECTION

APPROVALS DATE

DRAWN NAME 8/2/2010

CHECKED NAME DATE

APPROVED NAME DATE

DO NOT SCALE DRAWING. DIMS. ARE IN INCHES (mm) UNLESS OTHERWISE SPECIFIED.
CORNER FILLETS R.005 (0.001) (127-508)
TOLERANCES:
ANGLES: ±1°
1 PLACE X: ±.015 (0.38)
2 PLACE XX: ±.01 (0.3)
3 PLACE XXX: ±.005 (0.13)

Pentair Water

Pentair Water Brookfield
P.O. BOX 730
BROOKFIELD, WI 53008-0730

TITLE: CATALOG SHEET, SERIES 426 DIAPHRAGM VALVE

SIZE: D DWG NO. BR1077616

SCALE: 1:2 SOLIDWORKS FORMAT SHEET 2 OF 2