

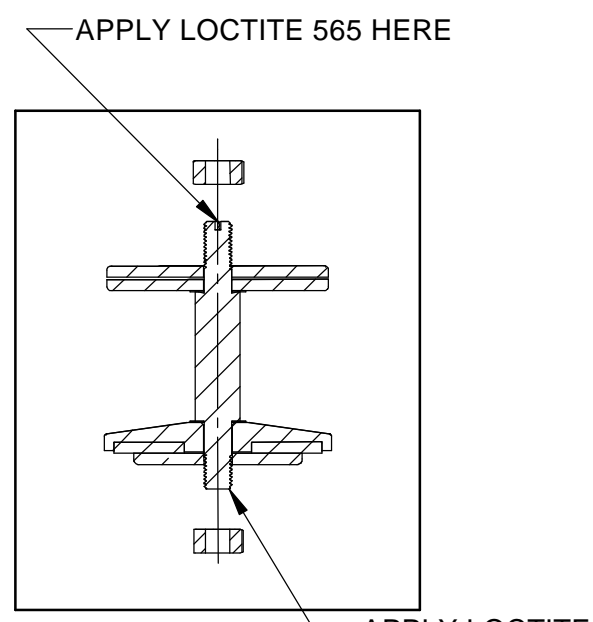
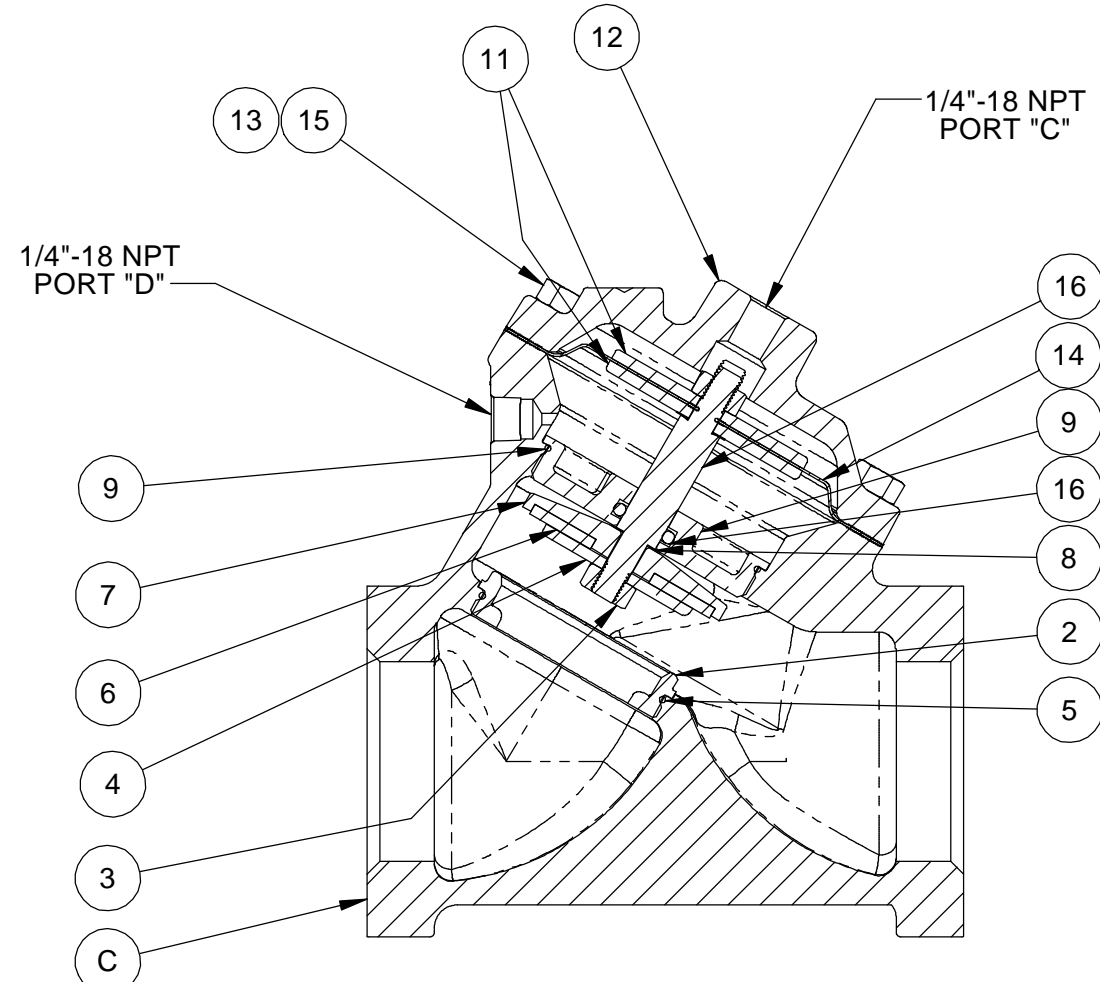
- NOTE:
- AMERICAN NATIONAL STANDARD TAPER PIPE THREADS (NPT) PER ANSI B2.1-1968.
  - VALVES AVAILABLE WITH B.S.P.T. END CONNECTIONS.

REPAIR PARTS KITS			
DESCRIPTION	PART NO.		
DIAPHRAGM & SEALS KIT CONSISTS OF ITEM NO'S 3(2),5,6,8(2),9,14,16	BR1070070 (425-RA)	BR1070083 (425-RAE)	BR1070095 (425-RAV)
	BUNA N INCLUDES DIAPHRAGM BR1074296 (425-FB)	E.P.D.M. INCLUDES DIAPHRAGM BR1074296 (425-FB)	FKM INCLUDES DIAPHRAGM BR1074297 (425-FV)
INT. PARTS KIT (NORM. OPEN) CONSISTS OF STANDARD ITEM NO'S 4,7,10,11(2),17,18	BR1070120 (425-RF)		
SEAT (ITEM NO.2)	BR1074321 (425-MO)		

ASSEMBLY TOOLS	
DESCRIPTION	PART NO.
FOR INSTALLATION & REMOVAL OF SEAT (ITEM #2) (TOOL NOT SHOWN)	BR1074411 (426-MT)
FOR INSTALLATION & REMOVAL OF SHAFT GUIDE (ITEM #10) (TOOL NOT SHOWN)	1" HEX SOCKET

REVISIONS					
ZONE	ECN	REV.	DESCRIPTION	DATE	APP'D
	30187	J	REDRAWN IN SOLIDWORKS: 1-WAS:BR1074277; 2-WAS:BR1074301; 3-WAS:BR1071742; 4-REM'D:BR1074383; 5-REM'D:#8; 6-WAS:BR1074423; 7-WAS:BR1074428; 8-WAS:BR1072384	06-04-10	MHM
	31609	K	1-REM'D: BR1074436 AND BR1074437; 2-ADD'D: BR43036	11-17-10	MHM

NO.	DESCRIPTION	STD	PART NO.	QTY.
H1 1	BODY CAST IRON 2" NPT	•	BR1074278 (425-A)	1
2	SEAT (REQ'S ASSY TOOL) BRASS	•	BR1074321 (425-M0)	1
3	HEX NUT (5/16-24)	•	BR123853	2
4	DISC PLATE BRASS	•	BR1074220 (424-D)	1
5	O-RING	BUNA N	BR1071682 (ORB-035)	1
		E.P.D.M.	BR1071724 (ORE-035)	
		VITON	BR1071794 (ORV-035)	
6	DISC	BUNA	BR1074307 (425-J)	1
		E.P.D.M.	BR1074309 (425-JE)	
		FKM	BR1074312 (425-JV)	
		HYCAR	BR1074310 (425-JH)	
7	DISC HOLDER BRASS	•	BR1074303 (425-H)	1
8	GASKET COPPER	•	BR1074252 (424-R)	2
9	O-RING	BUNA N	BR1071684 (ORB-038)	1
		E.P.D.M.	BR1071725 (ORE-038)	
		FKM	BR1071795 (ORV-038)	
H2 10	SHAFT GUIDE (REQ'S ASSY TOOL) BRASS	•	BR3026903	1
11	DIAPHRAGM PLATE BRASS	•	BR1074293 (425-D)	2
12	CAP CAST IRON	•	BR1074281 (425-C)	1
13	HEX SCREW PLATED STEEL	•	BR1072400 (SCZ-0013)	6
14	DIAPHRAGM	BUNA N	BR1074296 (425-FB)	1
		FKM	BR1074297 (425-FV)	
15	HEX NUT PLATED STEEL	•	BR1071657 (NUZ-0011)	1
H3 16	O-RING	BUNA N	BR1071699 (ORB-205TC)	1
		E.P.D.M.	BR1239009 (ORE-206)	
		FKM	BR1239008 (ORV-206)	
H4 17	SHAFT (NORMALLY OPEN)	•	BR1074314 (425-L)	1



SEE REVERSE SIDE  
CONFIGURATION OPTIONS

BR1070035 (V42F-0000-00000) (2" NPT)  
**NORMALLY OPEN**

LAST SAVED IN SMARTEAM/11/2011 12:51:07 PM

CRITICALITY SYMBOLS PER QPSP-001.2  
 LEVEL I    LEVEL II    LEVEL III

THIS DOCUMENT IS SOLELY THE PROPERTY OF PENTAIR WATER TREATMENT. REPRODUCTION, USE DISCLOSURE, OR TRANSMISSION OF THIS DOCUMENT OR DETAILS CONTAINED HEREIN, IN PART OR IN WHOLE, IS PROHIBITED WITHOUT THE WRITTEN CONSENT OF PENTAIR WATER TREATMENT ENGINEERING. THIS DOCUMENT AND ANY COPIES SHALL BE RETURNED TO PENTAIR WATER TREATMENT UPON WRITTEN REQUEST.

DO NOT SCALE DRAWING. DIMS. ARE IN INCHES [mm]  
 INTERPRET DIMS AND TOLERANCES PER ASME Y14.5M-1994  
 UNLESS OTHERWISE SPECIFIED:  
 CORNER FILLETS R.005-020 [127-508]  
 TOLERANCES:  
 ANGLES: ± 1°  
 1 PLACE .X: ± .015 [0.38]  
 2 PLACE .XX: ± .01 [0.3]  
 3 PLACE .XXX: ± .005 [0.13]

THE COMPONENT, PART, OR ASSEMBLY DESCRIBED IN THIS DOCUMENT MUST COMPLY WITH THE EU (EUROPEAN UNION) DIRECTIVES:  
 RoHS DIRECTIVE 2002/95/EC

THIS DRAWING MUST BE COMPARED TO THE ERP SYSTEM TO ENSURE CORRECT REVISION LEVEL PRIOR TO USE.

THIRD ANGLE PROJECTION

APPROVALS: TMS   DATE: 06-03-10

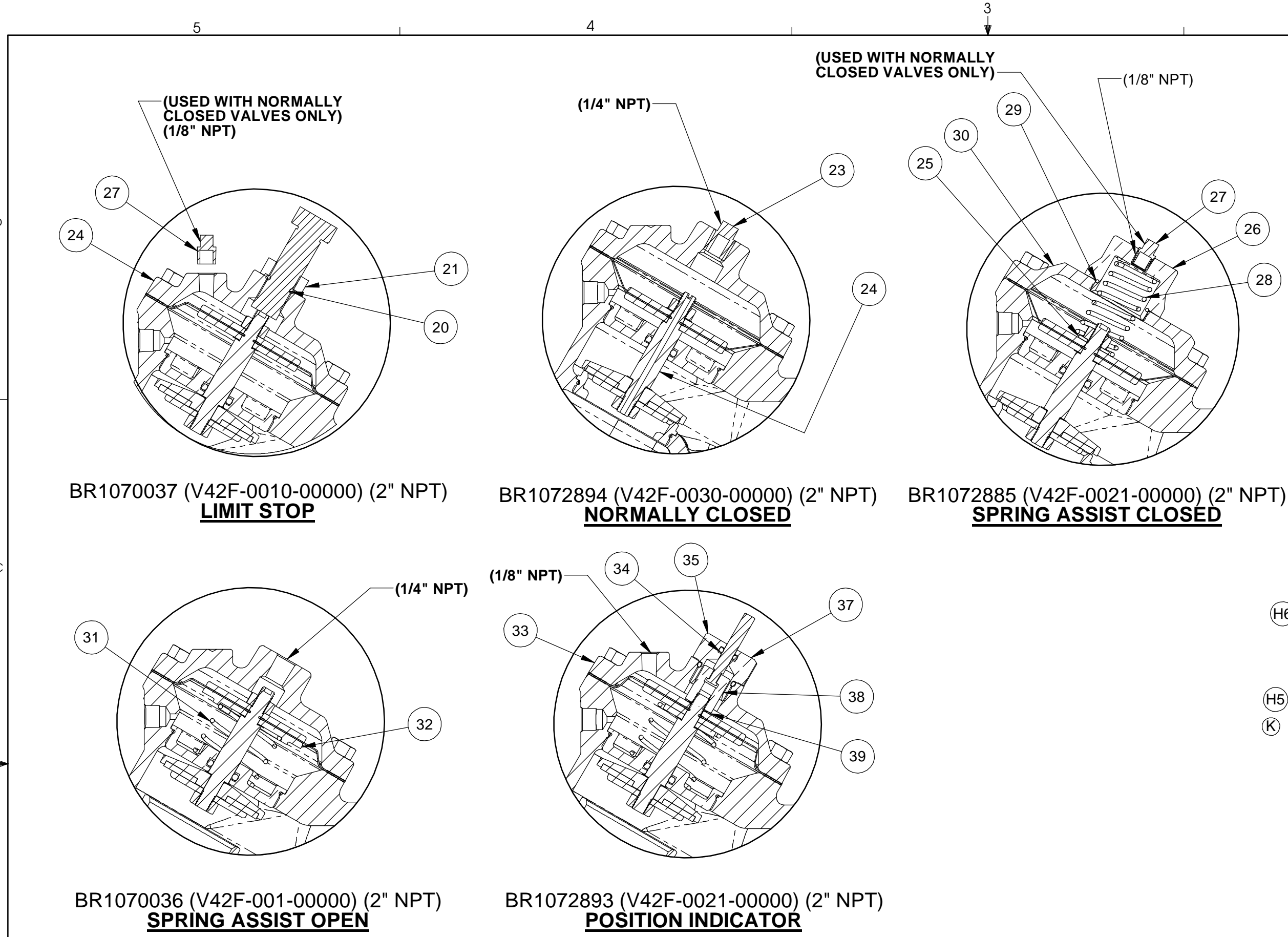
DRAWN: TMS   CHECKED:   APPROVED:

Pentair Water   Pentair Residential Filtration

TITLE: CATALOG SHEET, 425 DIAPHRAGM VALVE

SIZE: C   DWG NO.: BR1077615   REV: K

SCALE: 1:2   SOLIDWORKS FORMAT   SHEET 1 OF 2



REVISIONS					
ZONE	ECN	REV.	DESCRIPTION	DATE	APPD
SEE SHEET ONE FOR NOTES					

NO.	DESCRIPTION	STD	PART NO.	QTY.
<b>LIMIT STOP MODEL</b>				
19	SCREW	•	BR1078476	1
20	O-RING	•	BR1071690 (ORB-112)	1
21	NUT	•	BR1074434 (426-U)	1
22	CAP	•	BR1074285 (425-CCC)	1

<b>NORMALLY CLOSED MODEL</b>					
23	PIPE PLUG (1/4" N.P.T.)	PLATED STEEL	•	BR1071918 (PLZ0008)	1
		BRASS	•	BR1071904 (PLB-0009)	
		STN. STL	•	BR1071915 (PLS-0001)	
24	SHAFT (NORMALLY CLOSED)	•	BR1074317 (425-LL)	1	

<b>SPRING ASSIST CLOSED MODEL</b>					
25	CENTERING WASHER	BRASS	•	BR1074083 (421-AH)	1
		STN. STL	•	BR1074084 (425-LL)	
26	RETAINER NUT	BRASS	•	BR1074430 (428-IT)	1
		PLATED STEEL	•	BR1071917 (PLZ-0005)	
27	PIPE PLUG (1/8" N.P.T.)	BRASS	•	BR1071903 (PLB-0007)	1
		STN. STL	•	BR1071916 (PLS-0002)	
		CAST IRON	•	BR1074284 (425-CA)	
28	SPRING	•	BR1078688	1	
29	O-RING	•	BR1071677 (ORB-025)	1	
30	CAP	•	BR1074284 (425-CA)	1	

<b>SPRING ASSIST OPEN MODEL</b>					
31	SPRING	•	BR1078692	1	
32	DIAPHRAGM PLATE	BRASS	•	BR43036	1

<b>POSITION INDICATOR MODEL</b>					
33	CAP	CAST IRON	•	BR1074288 (425-CF)	1
34	O-RING	•	BR1071692 (ORB-115)	1	
35	SHAFT GUIDE BRUSHING	•	BR1074121 (421-GF)	1	
36	INDICATOR SHAFT	•	BR1074325 (425-PM)	1	
37	O-RING	•	BR1071688 (ORB-108-TC)	1	
38	TOP NUT	•	BR1074332 (425-TB)	1	
39	LOCKWASHER	•	BR1073590 (TRS-0007)	1	

- NOTE:
1. SPRING ASSIST CLOSED MODEL CANNOT BE COMBINED WITH LIMIT STOP MODEL.
  2. VALVES AVAILABLE WITH B.S.P.T. END CONNECTIONS.

SEE REVERSE SIDE FOR STANDARD NORMALLY OPEN MODEL.

CONVERSION KITS		REPAIR PARTS KITS	
DESCRIPTION	PART NO.	DESCRIPTION	PART NO.
CONVERSION KIT (LIMIT STOP) CONSISTS OF STANDARD ITEM NO'S 19,20,21,22	BR1074320 (425-LSC)	INT. PARTS KIT (LIMIT STOP) CONSISTS OF STANDARD ITEM NO'S 19,20,21	BR1074319 (425-LS)
CONVERSION KIT (SPRING ASSIST CLOSED) CONSISTS OF STANDARD ITEM NO'S 25 THRU 30	BR1074330 (425-SCC)	INT. PARTS KIT (NORM CLOSED) CONSISTS OF STANDARD ITEM NO'S 4,7,10,11(2),18,24	BR1070131 (425-RG)
CONVERSION KIT (SPRING ASSIST OPEN) CONSISTS OF STANDARD ITEM NO'S 8,31,32	BR1074331 (425-SO)	INT. PARTS KIT (SPRING ASSIST CLOSED) CONSISTS OF STANDARD ITEM NO'S 25,28,29	BR1074329 (425-SC)
CONVERSION KIT (POSITION INDICATOR) CONSISTS OF STANDARD ITEM NO'S 33 THRU 39	BR1074324 (425-PIC)	INT. PARTS KIT (SPRING ASSIST OPEN) CONSISTS OF STANDARD ITEM NO'S 8,31,32	BR1074331 (425-SO)
		INT. PARTS KIT (POSITION INDICATOR) CONSISTS OF STD ITEM NO'S 34 THRU 39	BR1074323 (425-PI)

LAST SAVED IN SMARTEAM/11/2011 12:51:07 PM

CRITICALITY SYMBOLS PER QPSP-001.2  
 LEVEL I    LEVEL II    LEVEL III

THIS DOCUMENT IS SOLELY THE PROPERTY OF PENTAIR WATER TREATMENT. REPRODUCTION, USE DISCLOSURE, OR TRANSMISSION OF THIS DOCUMENT OR DETAILS CONTAINED HEREIN, IN PART OR IN WHOLE, IS PROHIBITED WITHOUT THE WRITTEN CONSENT OF PENTAIR WATER TREATMENT ENGINEERING. THIS DOCUMENT AND ANY COPIES SHALL BE RETURNED TO PENTAIR WATER TREATMENT UPON WRITTEN REQUEST.

DO NOT SCALE DRAWING. DIMS. ARE IN INCHES [mm]  
 INTERPRET DIMS AND TOLERANCES PER ASME Y14.5M-1994  
 UNLESS OTHERWISE SPECIFIED:  
 CORNER FILLETS R.005-020 [127-508]  
 TOLERANCES:  
 ANGLES: ± 1°  
 1 PLACE .X: ± .015 [0.38]  
 2 PLACE .XX: ± .01 [0.3]  
 3 PLACE .XXX: ± .005 [0.13]

THE COMPONENT, PART, OR ASSEMBLY DESCRIBED IN THIS DOCUMENT MUST COMPLY WITH THE EU (EUROPEAN UNION) DIRECTIVES:  
 RoHS DIRECTIVE 2002/95/EC

THIS DRAWING MUST BE COMPARED TO THE ERP SYSTEM TO ENSURE CORRECT REVISION LEVEL PRIOR TO USE.

THIRD ANGLE PROJECTION

APPROVALS: DATE: 06-03-10

DRAWN: TMS

CHECKED:

APPROVED:

**Pentair Water** Pentair Residential Filtration

TITLE: CATALOG SHEET, 425 DIAPHRAGM VALVE

SIZE: C DWG. NO.: BR1077615 REV: K

SCALE: 1:2 SOLIDWORKS FORMAT SHEET 2 OF 2