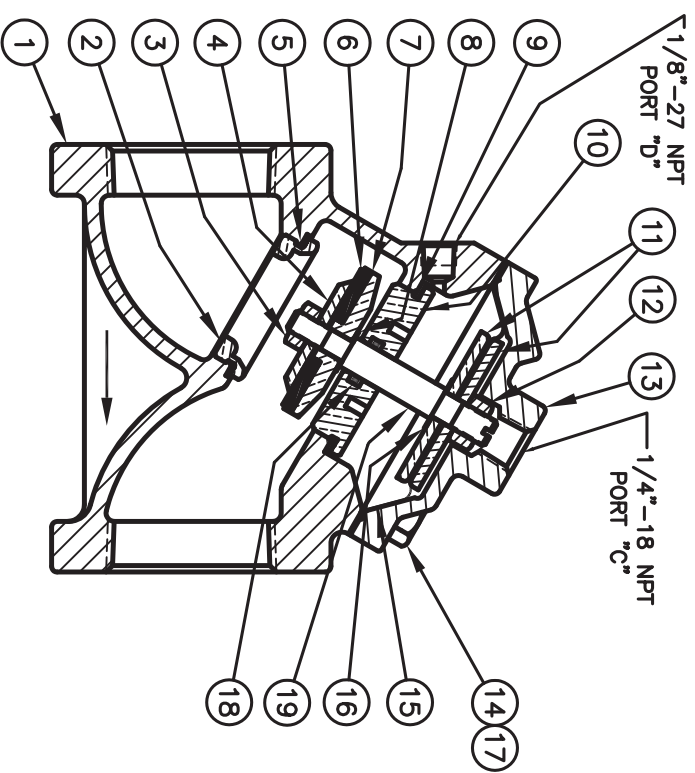
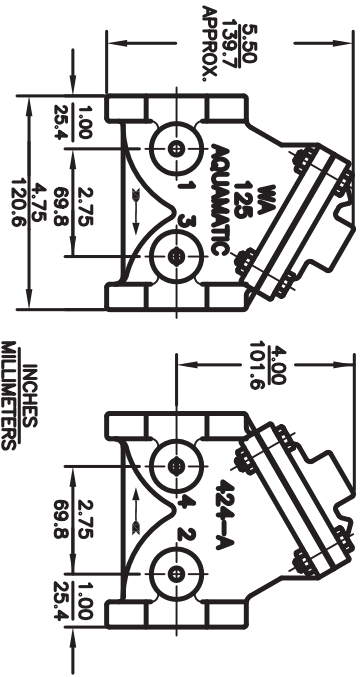


1-1/4" & 1-1/2" DIAPHRAGM VALVE - STANDARD MODEL



1070023 (1/42-0000-00000) (1-1/4" NPT)
 1070025 (1/42E-0000-00000) (1-1/2" NPT)
NORMALLY OPEN (STANDARD)

REPAIR PARTS KITS

DESCRIPTION	PART NO.
DIAPHRAGM & SEALS KIT CONSISTS OF ITEM NOS 3,5,6,8,9,12,15,16,18	1070089 (424-R) 1070092 (424-M) 1070094 (424-MN) 1070099 (424-F) 1070098 (424-MT) 1070222 (424-FB) 1070223 (424-FB) 1070224 (424-FV)
INT. PARTS KIT (NORM. OPEN) CONSISTS OF STANDARD ITEM NOS 4,7,10,11(2),19	1070119 (424-RF)
SEAT (ITEM NO. 2)	1074245 (424-MO)

ASSEMBLY TOOLS

DESCRIPTION	PART NO.
FOR INSTALLATION & REMOVAL OF SEAT (ITEM #2) (TOOL NOT SHOWN)	1074247 (424-MT)
FOR INSTALLATION & REMOVAL OF SHAFT GUIDE (ITEM #10) (TOOL NOT SHOWN)	1074227 (424-GT)

- NOTE:
- AMERICAN NATIONAL STANDARD TAPER PIPE THREADS (NPT) PER ANSI B2.1-1968
 - VALVES AVAILABLE WITH B.S.P.T. END CONNECTIONS.

NO.	DESCRIPTION	STD.	PART NO.	QTY.
1	BODY	1-1/4" NPT	1074196 (424-4S)	1
	CAST IRON	1-1/2" NPT	1074199 (424-4B)	
2	SEAT - BRASS (REQ'S ASSY. TOOL)	1-1/4" NPT	1074195 (424-4BS)	1
	CAST BRASS	1-1/2" NPT	1074193 (424-4BS)	
3	HEX NUT (1/4"-28)	*	1074245 (424-MO)	1
4	DISC PLATE - BRASS	*	1263852	1
5	O-RING	BUNA N	1074278 (088-028)	1
	E.P.D.M.	1071723 (08E-028)		
6	DISC	WTON	1071753 (08V-028)	1
	BUNA	1074232 (424-J)		
7	DISC HOLDER - BRASS	E.P.D.M.	1074233 (424-JE)	1
	HYCAR	1074236 (424-M)		
8	GASKET - COPPER	*	1074229 (424-H)	1
9	O-RING	BUNA N	1073948 (200-06)	1
	E.P.D.M.	1071695 (088-132)		
10	SHAFT GUIDE - BRASS (REQ'S ASSY TOOL)	BUNA N	1071734 (08E-132)	1
	FKM	1071806 (08A-132)		
11	DIAPHRAGM PLATE - BRASS	*	1074220 (424-D)	2
12	HEX NUT (5/16"-24)	*	1263853	1
13	CAP	CAST IRON	1074202 (424-C)	1
	CAST BRASS	1074206 (424-CB)		
14	HEX SCREW	PLATED STEEL	1072390 (S2-0007)	4
	STN. STL.	1072392 (S2-0156)		
15	DIAPHRAGM	BUNA N	1074222 (424-FB)	1
	FKM	1074224 (424-FV)		
16	GASKET - COPPER	*	1074252 (424-R)	1
17	HEX NUT	PLATED STEEL	1071695 (N2-0008)	4
	STN. STL.	1071649 (N2S-0007)		
18	O-RING	BUNA N	1071689 (088-1100C)	1
	E.P.D.M.	1071726 (08E-1100C)		
19	SHAFT (NORMALLY OPEN)	FKM	1239021 (08V-1100C)	1
		*	1074230 (424-L)	1

SEE REVERSE SIDE FOR CONFIGURATION OPTIONS

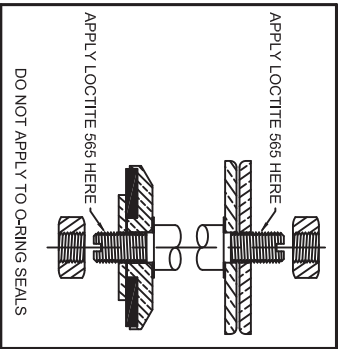
FORM NO. 1077614

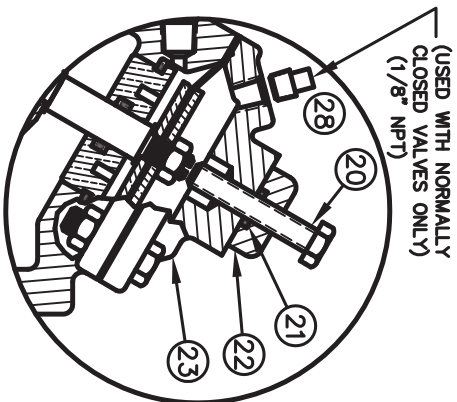
REV	DESCRIPTION	ECO	DWN	DATE	APVD
J	ADDED LOCOTTE APPLICATION BOX INFO	1713	MSM	2/24/07	

Pentair Water
 20690 Enterprise Avenue
 Brockfield, WI 53045
 888.734.3055
 www.Pentairwatertreatment.com

SERIES 424 DIAPHRAGM VALVE STANDARD MODEL

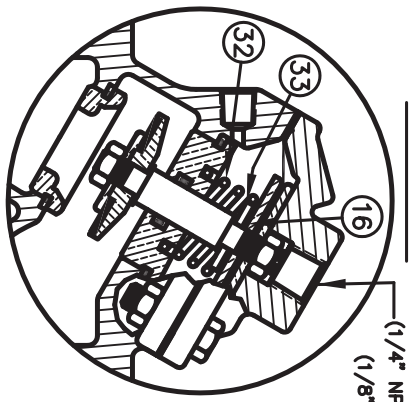
DRAWN	JWB	DATE	25Apr01	DRAWING NO.	1084019
-------	-----	------	---------	-------------	---------





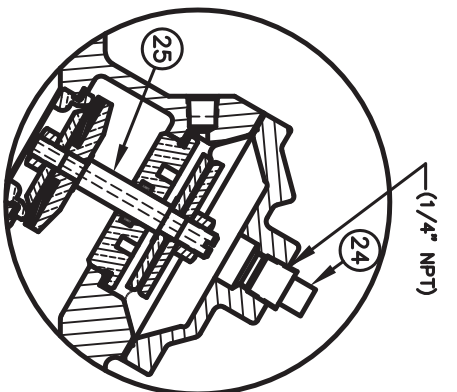
1072720 (V42D-0010-00000) (1-1/4" NPT)
1070028 (V42E-0010-00000) (1-1/2" NPT)

LIMIT STOP



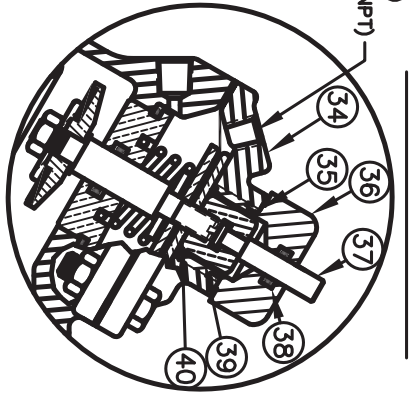
1072715 (V42D-0001-00000) (1-1/4" NPT)
1070027 (V42E-0001-00000) (1-1/2" NPT)

SPRING ASSIST OPEN



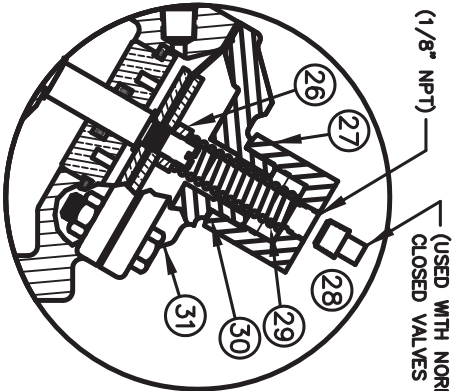
1072723 (V42D-0030-00000) (1-1/4" NPT)
1070028 (V42E-0030-00000) (1-1/2" NPT)

NORMALLY CLOSED



1072722 (V42D-0021-00000) (1-1/4" NPT)
1072804 (V42E-0021-00000) (1-1/2" NPT)

POSITION INDICATOR



1072716 (V42D-0002-00000) (1-1/4" NPT)
1072792 (V42E-0002-00000) (1-1/2" NPT)

SPRING ASSIST CLOSED

- NOTE:
1. SPRING ASSIST CLOSED MODEL CANNOT BE COMBINED WITH LIMIT STOP MODEL.
 2. VALVES AVAILABLE WITH B.S.P.T. END CONNECTIONS.

SEE REVERSE SIDE FOR STANDARD NORMALLY OPEN MODEL

NO.	DESCRIPTION	STD	PART NO.	QTY.
LIMIT STOP MODEL				
20	SCREW	*	1072362 (SCS-0031)	1
21	O-RING	*	1071668 (ORB-012)	1
22	NUT	*	1075534 (400-H)	1
23	CAP	*	1074210 (424-CCG)	1
			CAST BRASS	1074213 (424-CCCB)

NORMALLY CLOSED MODEL				
24	PIPE PLUG (1/4" N.P.T.)	*	1071918 (PIZ-0009)	1
			BRASS	1071904 (PIB-0009)
25	SHAFT (NORMALLY CLOSED)	*	1074241 (424-LL)	1

SPRING ASSIST CLOSED MODEL				
26	CENTERING NUT	*	1074276 (424-X)	1
27	RETAINER NUT - BRASS	*	1074274 (424-TT)	1
28	PIPE PLUG (1/8" N.P.T.)	*	1071917 (PIZ-0009)	1
			PLATED STEEL	1071903 (PIB-0007)
29	SPRING	*	1074270 (424-SS)	1
30	O-RING	*	1071674 (ORB-020)	1
31	CAP	*	1074208 (424-CC)	1
			CAST IRON	1074209 (424-CCB)

SPRING ASSIST OPEN MODEL				
16	GASKET - COPPER	*	1074252 (424-R)	1
32	SPRING	*	1236766	1
33	CENTERING WASHER - BRASS	*	1074382 (426-HA)	1

POSITION INDICATOR MODEL				
34	CAP	*	1074217 (424-CF)	1
			CAST BRASS	1074218 (424-CFB)
35	O-RING	*	1071692 (ORB-116)	1
36	SHAFT GUIDE BUSHING	*	1074121 (421-GF)	1
37	INDICATOR SHAFT	*	1074251 (424-PM)	1
38	O-RING	*	1071688 (ORB-1081C)	1
39	TOP NUT	*	1074272 (424-TB)	1
40	LOCKWASHER	*	1073590 (WMS-0007)	1

FORM NO. 1077614

DESCRIPTION	PART NO.
CONVERSION KIT (LIMIT STOP) CONSISTS OF STANDARD ITEM NO'S 20,21,22,23	1074243 (424-LS)
CONVERSION KIT (SPRING ASSIST CLOSED) CONSISTS OF STANDARD ITEM NO'S 26 THRU 31	1074266 (424-SC)
CONVERSION KIT (SPRING ASSIST OPEN) CONSISTS OF STANDARD ITEM NO'S 10,16,32,33	1074269 (424-SOC)
CONVERSION KIT (POSITION INDICATOR) CONSISTS OF STANDARD ITEM NO'S 34 THRU 40	1074250 (424-PI)

DESCRIPTION	PART NO.
INT. PARTS KIT (LIMIT STOP) CONSISTS OF STANDARD ITEM NO'S 20,21,22	1074242 (424-IS)
INT. PARTS KIT (NORM. CLOSED) CONSISTS OF STANDARD ITEM NO'S 4,7,10,11(2),25	1070130 (424-RG)
INT. PARTS KIT (SPRING ASSIST CLOSED) CONSISTS OF STANDARD ITEM NO'S 26,29,30	1074265 (424-SC)
INT. PARTS KIT (SPRING ASSIST OPEN) CONSISTS OF STANDARD ITEM NO'S 16,32,33	1074268 (424-SO)
INT. PARTS KIT (POSITION INDICATOR) CONSISTS OF STD ITEM NO'S 35 THRU 40	1074249 (424-PI)

REV	DESCRIPTION	ECO	DWN	DATE	APVD
J	SEE REVERSE SIDE	1713	MSM	2/4/07	

Pentair Water
20380 Enterprise Avenue
Brookfield, WI 53045
888.784.9065
www.pentairwater.com

**SERIES 424 DIAPHRAGM VALVE
STANDARD MODEL**

DRAWN	JWB	DATE	25Apr01	DRAWING NO.	1084019
-------	-----	------	---------	-------------	---------

1-1/4" & 1-1/2" DIAPHRAGM VALVE - OPTIONAL MODELS