

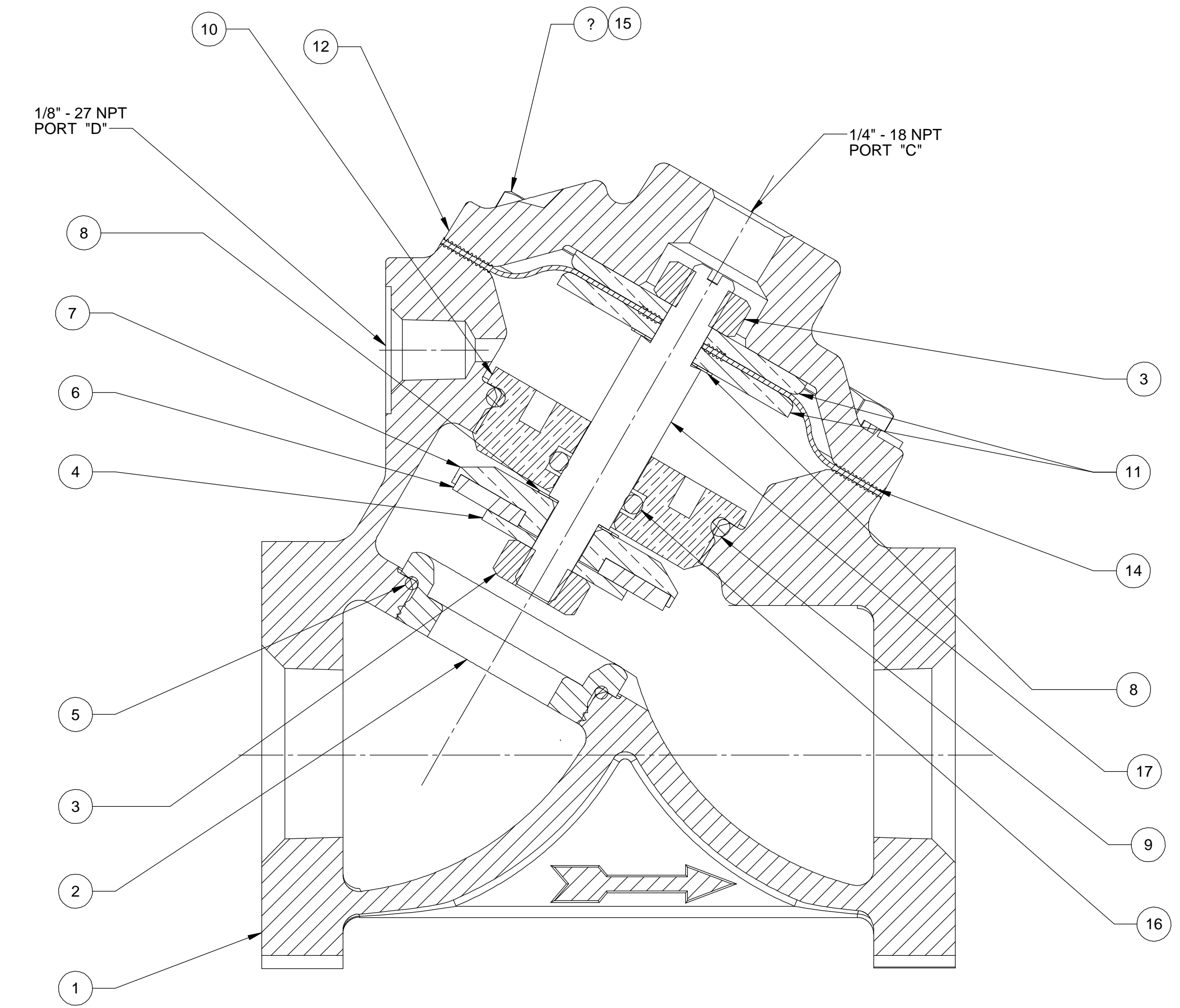
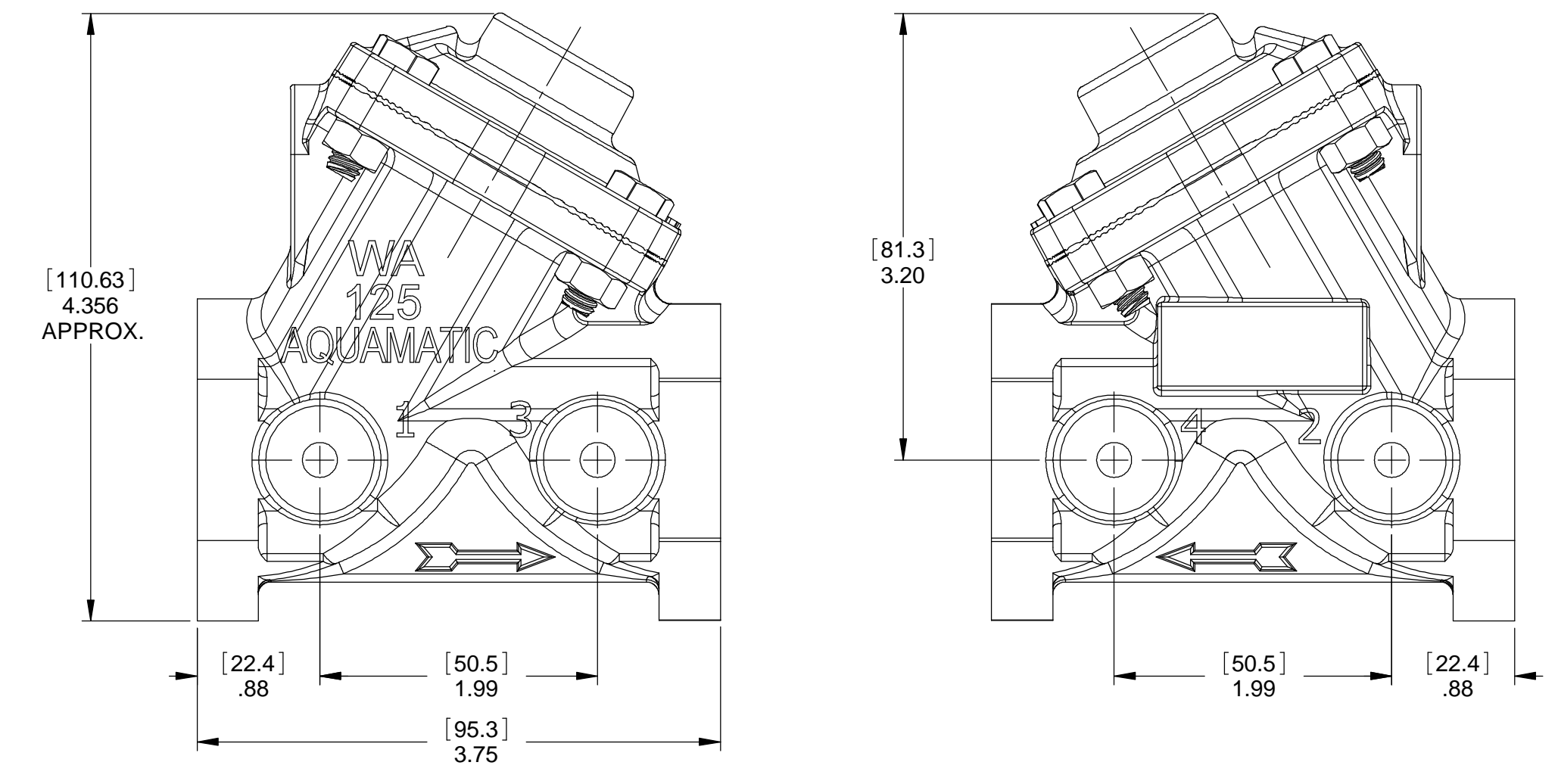
REVISIONS					
ZONE	ECN	REV.	DESCRIPTION	DATE	APP'D
	30204	L	REDAWN IN SOLIDWORKS. 1078608 WAS 1074175; RENAMED DRAWING TO 1077613	30AUG10	MHM

REPAIR PARTS KITS			
DESCRIPTION	PART NO.		
DIAPHRAGM & SEALS KIT (CONSIST OF ITEM NO'S 3(2), 5, 6, 8 (2), 9, 14, 16)	1070068 (421-RA)	1070081 (421-RAE)	1070093 (421-RAV)
INT. PARTS KIT (NORM. OPEN) CONSIST OF STANDARD ITEM NO'S 4, 7, 10, 11(2), 17	1070118 (421-RF)		
SEAT (ITEM NO. 2)	1074158 (421-MO)		

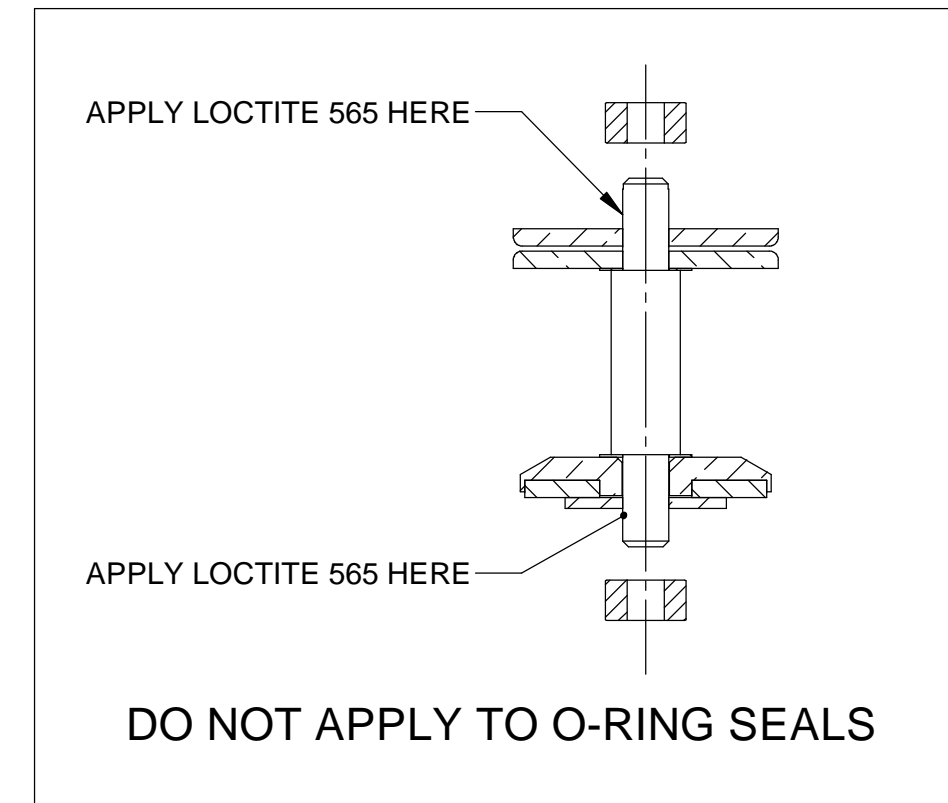
ASSEMBLY TOOLS	
DESCRIPTION	PART NO.
FOR INSTALLATION AND REMOVAL OF SEAT (ITEM #2) (TOOL NOT SHOWN)	1074161 (421-MT)
FOR INSTALLATION AND REMOVAL OF SHAFT GUIDE (ITEM #10) (TOOL NOT SHOWN)	1074124 (421-GT)

NOTES:
 1. AMERICAN NATIONAL STANDARD TAPER PIPE THREADS (NPT)
 PER ANSI B2.1-1968
 2. VALVES AVAILABLE WITH B.S.P.T. END CONNECTIONS.

NO.	DESCRIPTION	STD	PART NO.	QTY.	
1	BODY	CAST IRON	3/4" NPT	* BR1074085 (421-A3)	1
			1" NPT	* BR1074088 (421-A4)	
	CAST BRASS	3/4" NPT	BR1074077 (421-AB3)		
		1" NPT	BR1074080 (421-AB4)		
2	SEAT - BRASS (REQ'S ASSY TOOL)	*	BR1074158 (421-MO)	1	
3	HEX NUT (1/4-28)	*	BR1263852	2	
4	DISC PLATE - BRASS	*	BR1074147 (421-K)	1	
5	O-RING	BUNA N	* BR1071676 (ORB-024)	1	
		E.P.D.M.	BR1071721 (ORE-024)		
		FKM	* BR1071791 (ORV-024)		
6	DISC	BUNA	* BR1074140 (421-J)	1	
		E.P.D.M.	BR1074143 (421-JE)		
		FKM	BR1074146 (421-JV)		
		HYCAR	BR1074144 (421-JH)		
7	DISC HOLDER - BRASS	*	BR1074126 (421-H)	1	
8	GASKET - COPPER	*	BR1073948 (200-GG)	2	
9	O-RING	BUNA N	* BR1071693 (ORB-125)	1	
		E.P.D.M.	BR1071732 (ORE-125)		
		FKM	BR1071803 (ORV-125)		
10	SHAFT GUIDE - BRASS (REQ'S ASSY TOOL)	*	BR1074122 (421-GGO)	1	
11	DIAPHRAGM PLATE - BRASS	*	BR1074117 (421-D)	2	
12	CAP	CAST IRON	* BR1074093 (421-C)	1	
		CAST BRASS	BR1074096 (421-CB)		
13	HEX SCREW	PLATED STEEL	* BR1072398 (SCZ-0004)	4	
		STN. STL.	BR1080720 (SCS-0142)		
14	DIAPHRAGM	BUNA N	* BR1074119	1	
		FKM	BR1074120		
15	HEX NUT	PLATED STEEL	* BR1071656 (NUZ-0008)	4	
		STN. STL.	BR1071649 (NUS-0007)		
16	O-RING	BUNA N	* BR1071689 (ORB-110TC)	1	
		E.P.D.M.	BR1071726 (ORE-110TC)		
		FKM	BR1239021 (ORV-110)		
17	SHAFT (NORMALLY OPEN)	*	BR1074150 (421-L)	1	



1070001 (V42B-0000-00000) (3/4" NPT)
 1070011 (V42C-0000-00000) (1" NPT)
NORMALLY OPEN (STANDARD)



NOTE: SEE REVERSE SIDE FOR CONFIGURATION OPTIONS

LAST SAVED IN SMARTTEAM 10/2010 10:25:30 AM

CRITICALITY SYMBOLS PER QPSP-001.2
 LEVEL I LEVEL II LEVEL III

THIS DOCUMENT IS SOLELY THE PROPERTY OF PENTAIR WATER TREATMENT. REPRODUCTION, USE, DISCLOSURE, OR TRANSMISSION OF THIS DOCUMENT OR DETAILS CONTAINED HEREIN, IN PART OR IN WHOLE, IS PROHIBITED WITHOUT THE WRITTEN CONSENT OF PENTAIR WATER TREATMENT ENGINEERING. THIS DOCUMENT AND ANY COPIES SHALL BE RETURNED TO PENTAIR WATER TREATMENT UPON WRITTEN REQUEST.

DO NOT SCALE DRAWINGS. DIMS. ARE IN INCHES (mm) UNLESS OTHERWISE SPECIFIED.
 CORNER FILLETS R.005 (0.001) (07-508)
 TOLERANCES:
 ANGLES: ±1°
 1 PLACE X: ±.015 (0.38)
 2 PLACE XX: ±.01 (0.3)
 3 PLACE XXX: ±.005 (0.13)

THE COMPONENT, PART, OR ASSEMBLY DESCRIBED IN THIS DOCUMENT MUST COMPLY WITH THE EU (EUROPEAN UNION) DIRECTIVE: 2002/95/EC.
 THIS DRAWING MUST BE COMPARED TO THE ERP SYSTEM TO ENSURE CORRECT REVISION LEVEL PRIOR TO USE.

THIRD ANGLE PROJECTION

APPROVALS: [] DATE: []

DRAWN: [] CHECKED: [] APPROVED: []

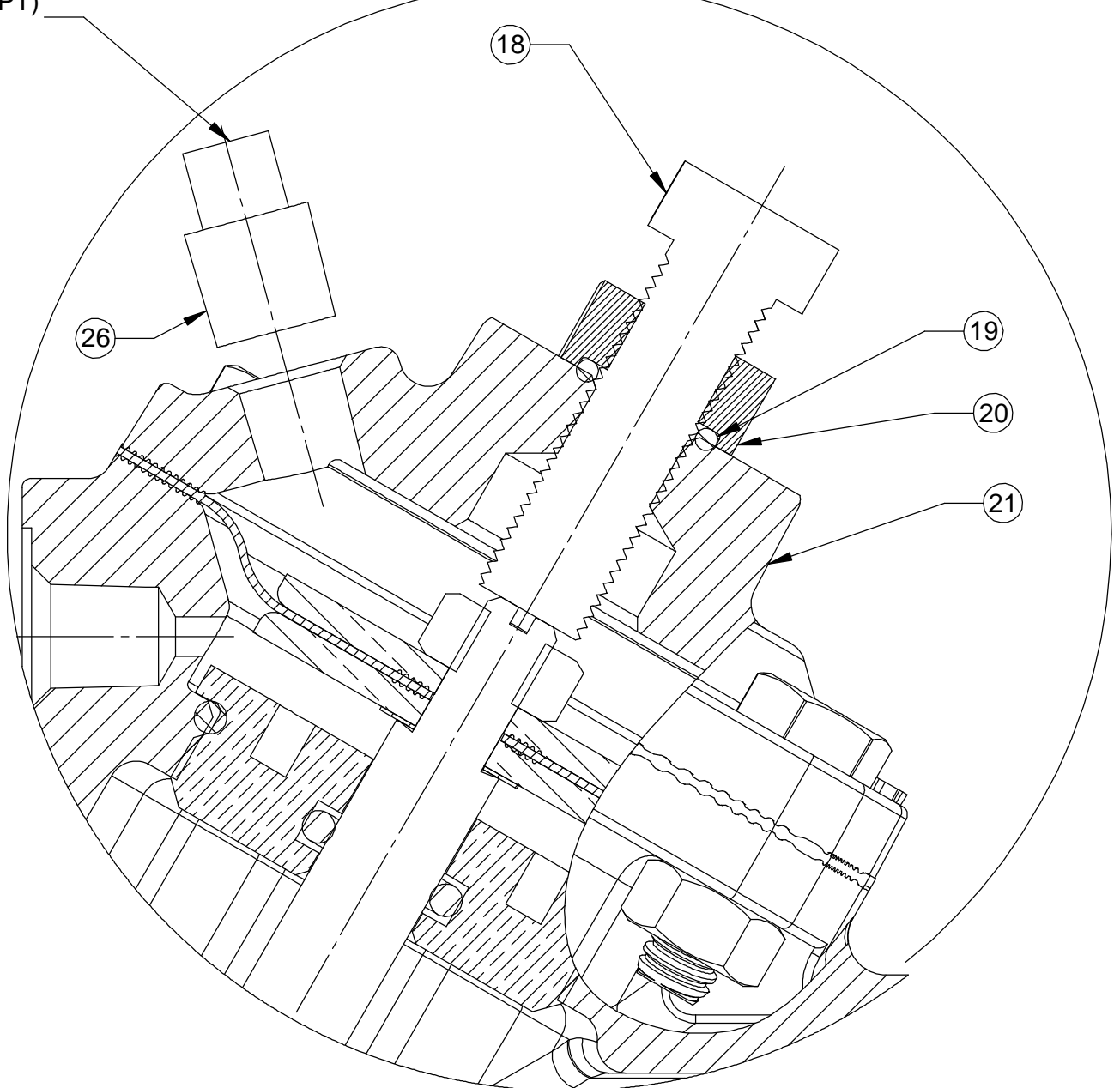
TITLE: CATALOG SHEET, 421 DIAPHRAGM VALVE

SIZE: D DWG. NO.: BR1077613

SCALE: 1:1 SOLIDWORKS FORMAT SHEET 1 OF 2

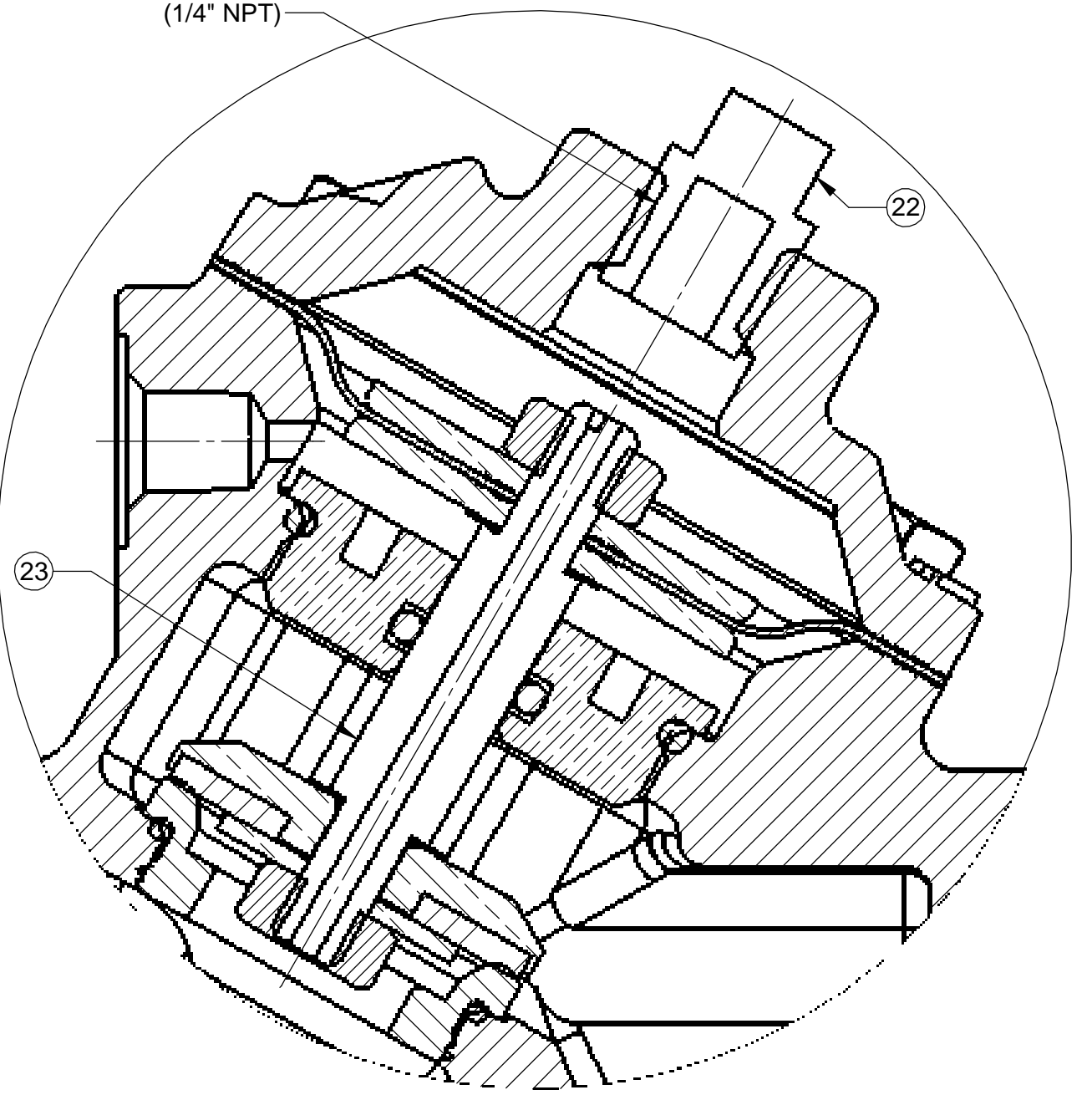
Pentair Residential Filtration

USED WITH NORMALLY CLOSED VALVES ONLY (1/8" NPT)



BR1072563 (V42B-0010-00000) (3/4" NPT)
BR1070015 (V42C-0010-00000) (1" NPT)
LIMIT STOP

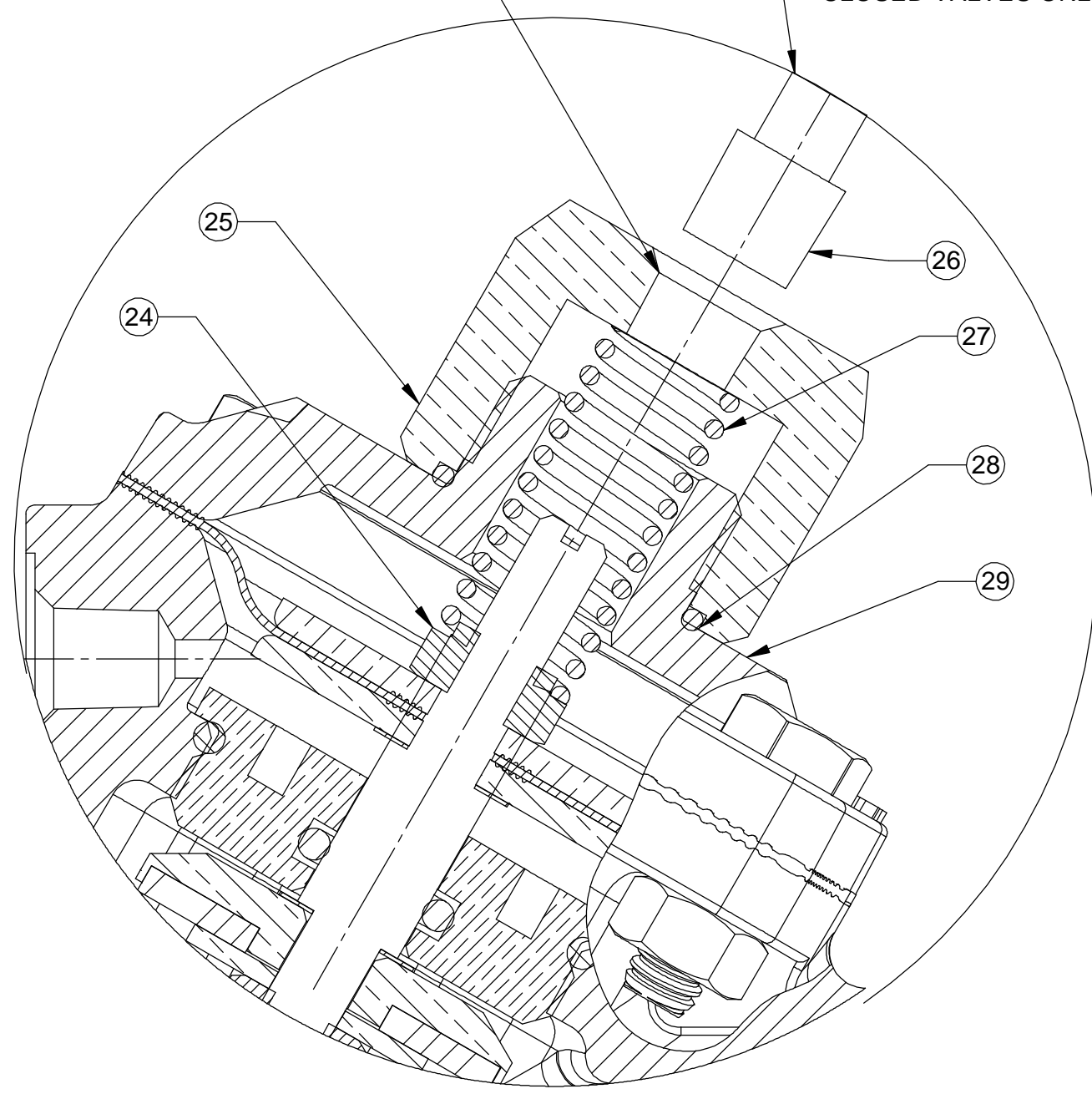
(1/4" NPT)



BR1070002 (V42B-0030-00000) (3/4" NPT)
BR1070012 (V42C-0030-00000) (1" NPT)
NORMALLY CLOSED

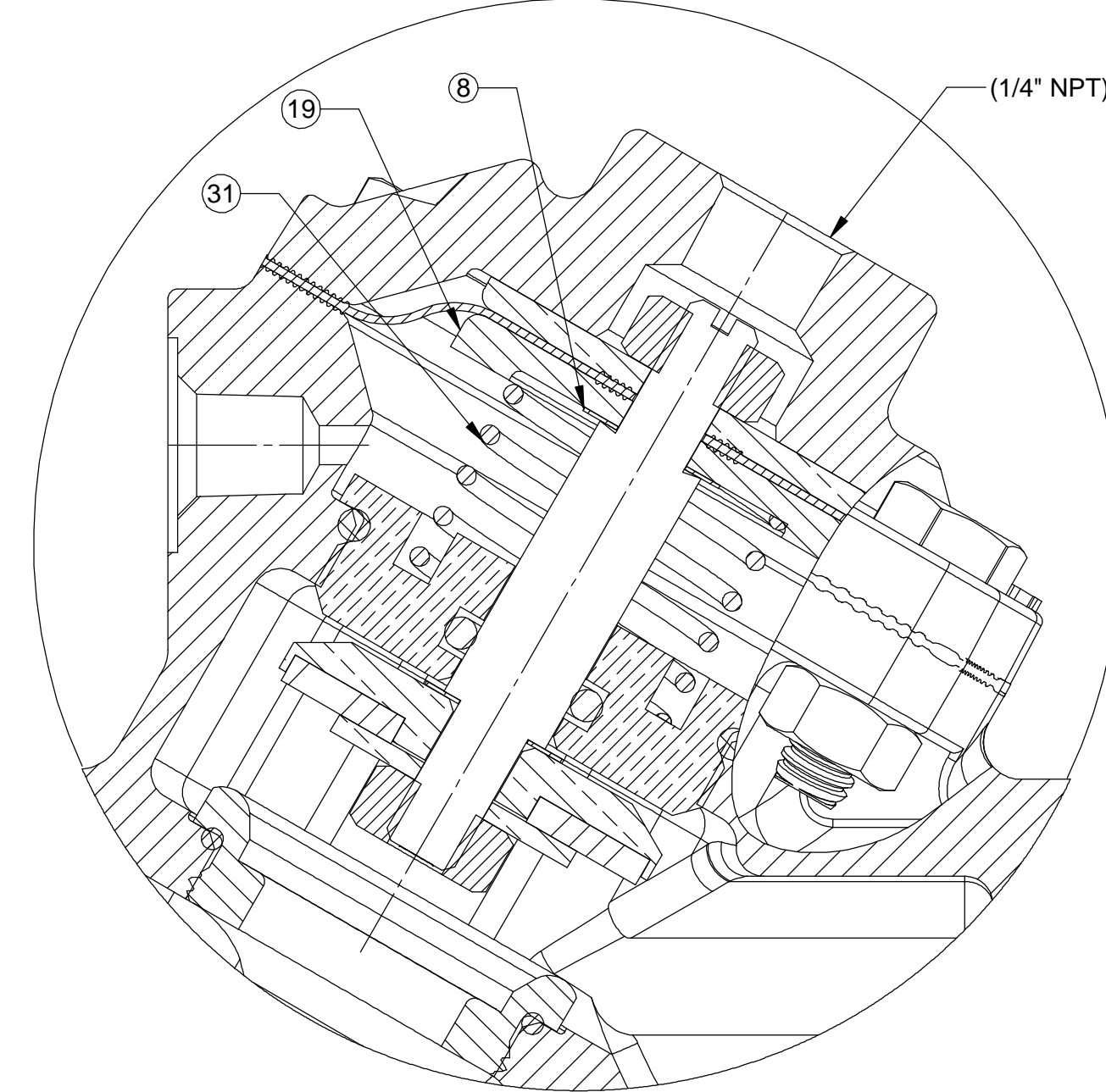
(1/8" NPT)

USED WITH NORMALLY CLOSED VALVES ONLY



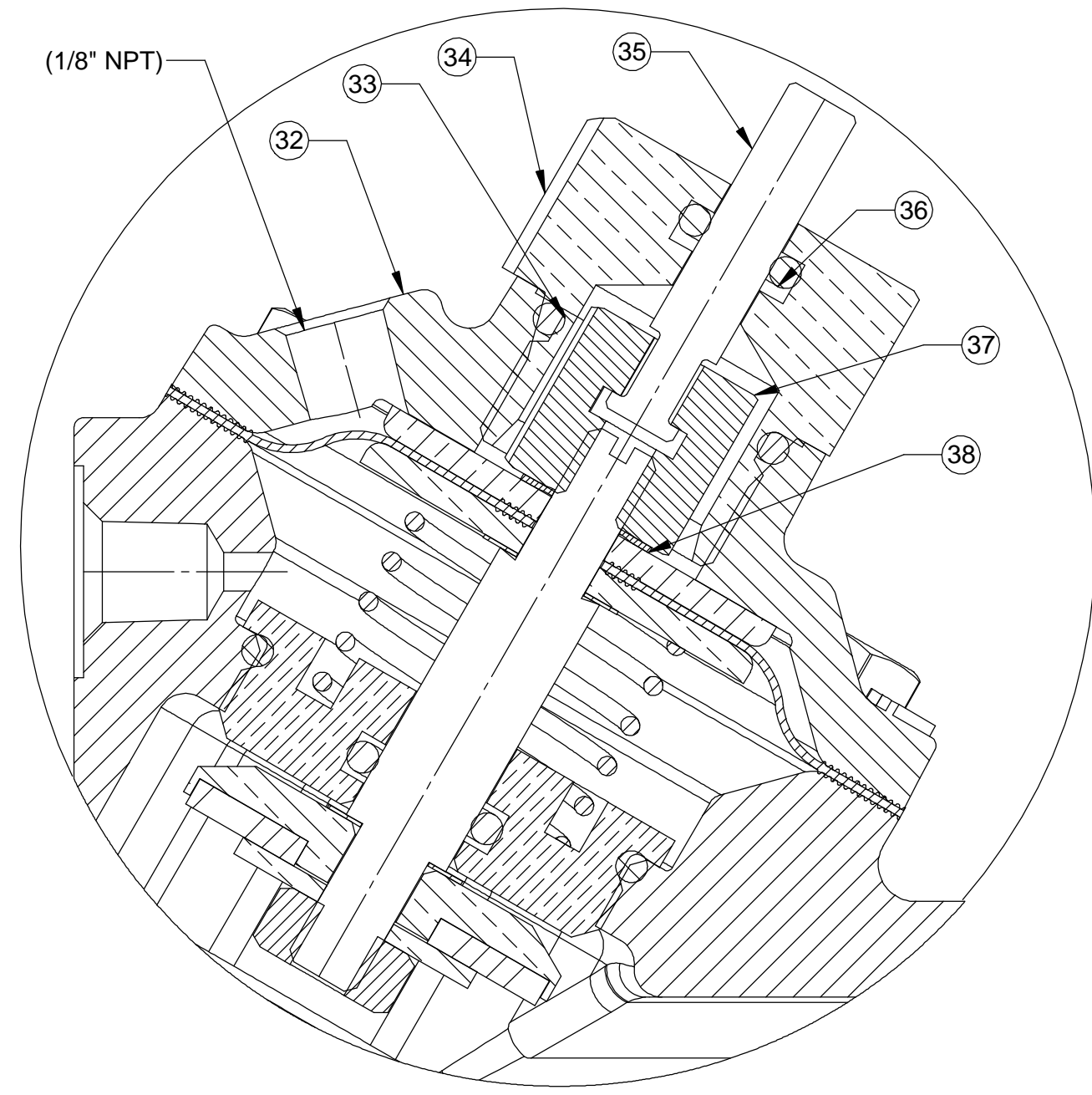
BR1070003 (V42B-0002-00000) (3/4" NPT)
BR1070013 (V42C-0002-00000) (1" NPT)
SPRING ASSIST CLOSED

(1/4" NPT)



BR1070004 (V42B-0001-00000) (3/4" NPT)
BR1070014 (V42C-0001-00000) (1" NPT)
SPRING ASSIST OPEN

(1/8" NPT)



BR1077144 (V42B-0021-00000) (3/4" NPT)
BR1072648 (V42C-0021-00000) (1" NPT)
POSITION INDICATOR

REVISIONS					
ZONE	ECN	REV.	DESCRIPTION	DATE	APP'D
		K	SEE SHEET 1 FOR DETAILS		

NO	DESCRIPTION	STD	PART NO.	QTY.
LIMIT STOP MODEL				
18	SCREW	*	BR1072361 (SCS-0030)	1
19	O-RING	*	BR1071668 (ORB-012)	1
20	HEX NUT	*	BR1077534 (400-H)	1
21	CAP	CAST IRON	BR1074101 (421-CCC)	1
		CAST BRASS	BR1074104 (421-CCCB)	
NORMALLY CLOSED MODEL				
22	PIPE PLUG (1/4" NPT)	PLATED STEEL	BR1071918 (PLZ-0008)	1
		BRASS	BR1071904 (PLB-0009)	
23	SHAFT (NORMALLY CLOSED)	*	BR1074153 (421-LL)	1
SPRING ASSIST CLOSED MODEL				
24	CENTERING NUT	*	BR1074185 (421-X)	1
25	RETAINER NUT - BRASS	*	BR1074183 (421-TT)	1
26	PIPE PLUG (1/8" NPT)	PLATED STEEL	BR1071917 (PLZ-0005)	1
		BRASS	BR1071903 (PLB-0007)	
27	SPRING	*	BR1078602	1
28	O-RING	*	BR1071674 (ORB-020)	1
29	CAP	CAST IRON	BR1074099 (421-CC)	1
		CAST BRASS	BR1074100 (421-CCB)	
SPRING ASSIST OPEN MODEL				
8	GASKET - COPPER	*	BR1073948 (200-GG)	1
19	DIAPHRAGM PLATE, 421, SAO	*	BR43032	1
31	SPRING	*	BR1078608	1
POSITION INDICATOR MODEL				
32	CAP	CAST IRON	BR1074107 (421-CF)	1
		CAST BRASS	BR1074110 (421-CFB)	
33	O-RING	*	BR1071692 (ORB-116)	1
34	SHAFT GUIDE BUSHING	*	BR1074121 (421-GF)	1
35	INDICATOR SHAFT	*	BR1074164 (421-PM)	1
36	O-RING	*	BR1071688 (ORB-108TC)	1
37	TOP NUT	*	BR1074182 (421-TB)	1
38	LOCKWASHER	*	BR1073589 (WAS-0006)	1

NOTES:
1. SPRING ASSIST CLOSED MODEL CANNOT BE COMBINED WITH LIMIT STOP OR POSITION INDICATOR MODELS.
2. VALVES AVAILABLE WITH B.S.P. END CONNECTIONS.

CONVERSION KITS	
DESCRIPTION	PART NO.
CONVERSION KIT (LIMIT STOP) CONSISTS OF STANDARD ITEM NO'S 18 THRU 21	BR1074155 (421-LSC)
CONVERSION KIT (SPRING ASSIST CLOSED) CONSISTS OF STANDARD ITEM NO'S 24 THRU 29	BR1074147 (421-SCC)
CONVERSION KIT (SPRING ASSIST OPEN) CONSISTS OF STANDARD ITEM NO'S 4, 8, 10, 31	BR1074179 (421-SOC)
CONVERSION KIT (POSITION INDICATOR) CONSISTS OF STANDARD ITEM NO'S 32 THRU 38	BR1074163 (421-PIC)

REPAIR PARTS KITS	
DESCRIPTION	PART NO.
INT. PARTS KIT (LIMIT STOP) CONSISTS OF STANDARD ITEM NO'S 18, 19, 20	BR1074154 (421-LS)
INT. PARTS KIT (NORM. CLOSED) CONSISTS OF STANDARD ITEM NO'S 4, 7, 10, 11(2), 23	BR1070129 (421-RG)
INT. PARTS KIT (SPRING ASSIST CLOSED) CONSISTS OF STANDARD ITEM NO'S 24, 27, 28	BR1074176 (421-SC)
INT. PARTS KIT (SPRING ASSIST OPEN) CONSISTS OF STANDARD ITEM NO'S 4, 8, 31	BR1074178 (421-SO)
INT. PARTS KIT (POSITION INDICATOR) CONSISTS OF STANDARD ITEM NO'S 33 THRU 38	BR1074162 (421-PI)

LAST SAVED IN SMARTTEAM 10/10/2010 10:25:30 AM

CRITICALITY SYMBOLS PER QPSP-001.2
 LEVEL I LEVEL II LEVEL III

THIS DOCUMENT IS SOLELY THE PROPERTY OF PENTAIR WATER TREATMENT. REPRODUCTION, USE, DISCLOSURE, OR TRANSMISSION OF THIS DOCUMENT OR DETAILS CONTAINED HEREIN, IN PART OR IN WHOLE, IS PROHIBITED WITHOUT THE WRITTEN CONSENT OF PENTAIR WATER TREATMENT ENGINEERING. THIS DOCUMENT AND ANY COPIES SHALL BE RETURNED TO PENTAIR WATER TREATMENT UPON WRITTEN REQUEST.

DO NOT SCALE DRAWINGS. DIMS. ARE IN INCHES (mm) UNLESS OTHERWISE SPECIFIED.
 CORNER FILLETS R.005 (0.001) (0.127-0.508)
 TOLERANCES:
 ANGLES: ± 1°
 1 PLACE X: ± 0.15 (0.38)
 2 PLACE XX: ± 0.1 (0.3)
 3 PLACE XXX: ± 0.05 (0.13)

THE COMPONENT, PART, OR ASSEMBLY DESCRIBED IN THIS DOCUMENT MUST COMPLY WITH THE EU (EUROPEAN UNION) DIRECTIVE: 2002/95/EC.
 THIS DRAWING MUST BE COMPARED TO THE ERP SYSTEM TO ENSURE CORRECT REVISION LEVEL PRIOR TO USE.

THIRD ANGLE PROJECTION

APPROVALS DATE

DRAWN CHECKED APPROVED

TITLE: CATALOG SHEET, 421 DIAPHRAGM VALVE
 SIZE: D DWG NO.: BR1077613 REV: L
 SCALE: 1:1 SOLIDWORKS FORMAT SHEET 2 OF 2