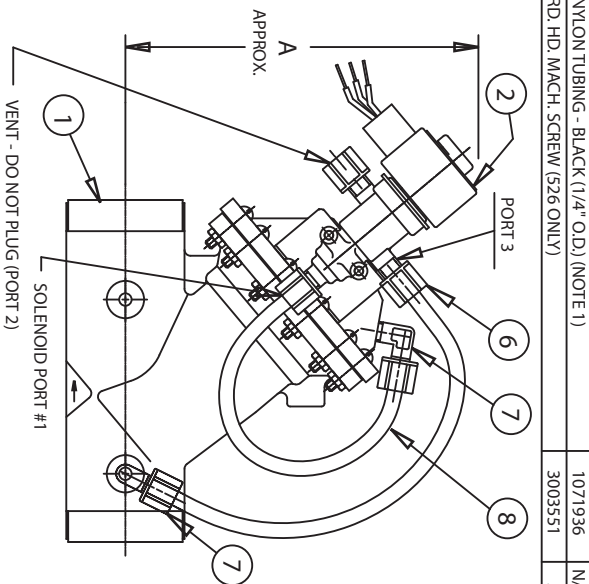
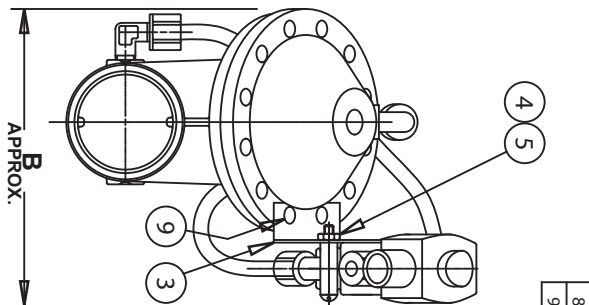
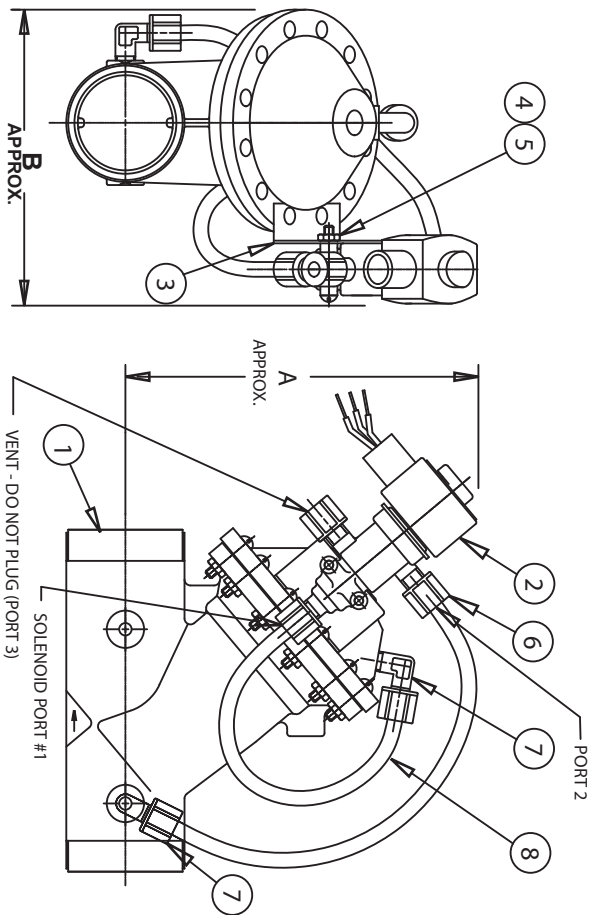


SOLENOID OPERATED DIAPHRAGM VALVES

- NOTE:
1. LENGTH OF TUBING VARIES WITH EACH SIZE OF DIAPHRAGM VALVE.
 2. DIAPHRAGM VALVE IS NORMALLY OPEN. PRESSURE TO CLOSE
 3. BOSS NO. 1 ON VALVE TAPPED 1/8" N.P.T. (520, 521, 524) 1/4" N.P.T. (526)
 4. DRY DRAIN OPTION - VENT PORT OF SOLENOID IS CONNECTED TO DOWNSTREAM SIDE OF VALVE.



NO.	DESCRIPTION	PART NO.	QTY.
1	DIAPHRAGM VALVE - NORMALLY OPEN		1
2	3 WAY SOLENOID VALVE (NEMA 4 ONLY)	110V, 60 HZ. 1075637 220 V, 50 HZ. 1075638 24V, 60 HZ. 1075639	1
3	SOLENOID MOUNTING BRACKET	1074783	1
4	RD. HD. MACH. SCREW (8-32 X 1 1/4")	1072377	2
5	HEX NUT (8-32)	1079811	2
6	NUT AND SLEEVE ASSEMBLY (1/4" TUBE)	1071939	3
7	90° ELBOW 1/8" M. X 1/4" TUBE 1/4" M. X 1/4" TUBE	520 - 524 1078769 526 1078770	2
8	NYLON TUBING - BLACK (1/4" O.D.) (NOTE 1)	1071936	N/A
9	RD. HD. MACH. SCREW (5/26 ONLY)	3003551	2

ENERGIZED TO CLOSE

SOLENOID ENERGIZED.

UPSTREAM PRESSURE, FROM SOLENOID PORT 2 TO PORT 1, IS APPLIED TO UPPER DIAPHRAGM CHAMBER TO CLOSE THE DIAPHRAGM VALVE.

SOLENOID DE-ENERGIZED.

PRESSURE FROM UPPER DIAPHRAGM CHAMBER IS VENTED, THROUGH SOLENOID PORT 1 TO PORT 3 TO DRAIN. UPSTREAM PRESSURE OPENS THE DIAPHRAGM VALVE.

VALVE SERIES	PIPE SIZE	A	B
520	3/8", 1/2"	5.87 149.1	4.12 104.6
521	3/4", 1"	6.52 165.6	5.12 130.0
524	1-1/2", 2"	7.62 193.5	6.25 158.75
526	2-1/2", 3"	9.62 244.3	7.87 200.0

INCHES
MILLIMETERS

ENERGIZED TO OPEN

SOLENOID DE-ENERGIZED.

UPSTREAM PRESSURE, FROM SOLENOID PORT 3 TO PORT 1, IS APPLIED TO UPPER DIAPHRAGM CHAMBER TO CLOSE THE DIAPHRAGM VALVE.

SOLENOID ENERGIZED.

PRESSURE FROM UPPER DIAPHRAGM CHAMBER IS VENTED, THROUGH SOLENOID PORT 1 TO PORT 2 TO DRAIN. UPSTREAM PRESSURE OPENS THE DIAPHRAGM VALVE.

REV	DESCRIPTION	ECO	DMN	DATE	APP'D
B	UPDATED FITTINGS PART NOS.	NONE	MSM	10/31/06	



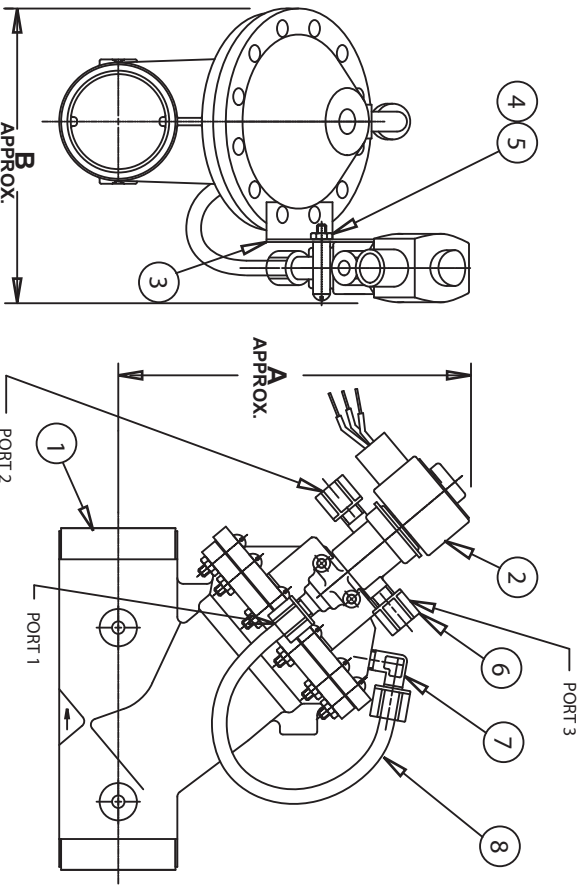
20580 Enterprise Avenue
Brookfield, VI 53045
888.784.9065
www.PentairWaterTreatment.com

SERIES K520 THRU K526 DIA. VALVES SOLENOID OPERATED VALVES

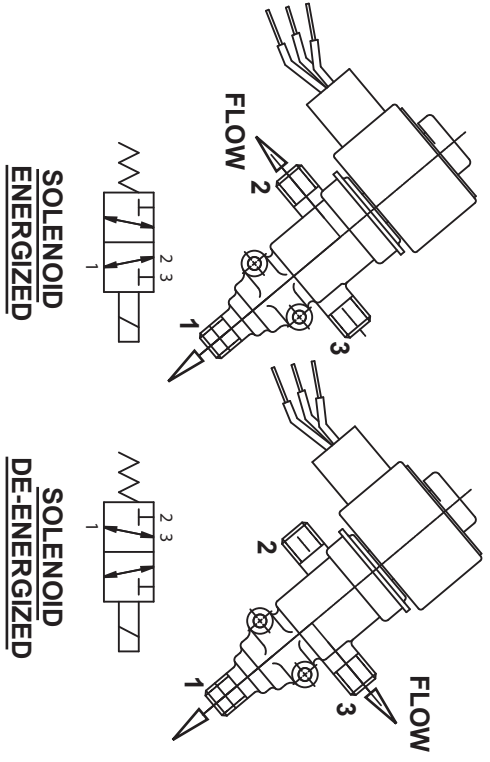
DRAWN	DATE	DRAWING NO.
JWB	02JUL01	1078160

FORM NO. 1081312

- NOTE:
1. LENGTH OF TUBING VARIES WITH EACH SIZE OF DIAPHRAGM VALVE.
 2. DIAPHRAGM VALVE IS NORMALLY OPEN



NO.	DESCRIPTION	PART NO.	QTY.
1	DIAPHRAGM VALVE - NORMALLY OPEN	1075637	1
2	3 WAY SOLENOID VALVE (NEMA 4 ONLY)	110 V, 60 HZ.	1075637
		220V, 50 HZ. 24V, 60 HZ.	1075638 1075639
3	SOLENOID MOUNTING BRACKET	1074783	1
4	RD. HD. MACH. SCREW (8-32 X 1 1/4")	1072377	2
5	HEX NUT (8-32)	1079811	2
6	NUT AND SLEEVE ASSEMBLY (1/4" TUBE)	1071939	3
7	90° ELBOW	520 - 524	1
8	NYLON TUBING - BLACK (1/4" O.D.) (NOTE 1)	1/8" M. X 1/4" TUBE	1078769
		1/4" M. X 1/4" TUBE	1078770
		526	1
		1071936	N/A



INDEPENDENT CONTROL PRESSURE

ENERGIZE TO OPEN
 APPLY CONTROL PRESSURE AT SOLENOID PORT NO. 3
 (PORT NO. 2 VENTED)

ENERGIZE TO CLOSE
 APPLY CONTROL PRESSURE AT SOLENOID PORT NO. 2
 (PORT NO. 3 VENTED)

CONTROL PRESSURE MUST BE EQUAL TO OR GREATER THAN LINE PRESSURE.

VALVE SERIES	PIPE SIZE	A	B
520	3/8", 1/2"	5.87 149.1	4.12 104.6
521	3/4", 1"	6.52 165.6	5.12 130.0
524	1-1/2", 2"	7.62 193.5	6.25 158.75
526	2-1/2", 3"	9.62 244.3	7.87 200.0

INCHES
 MILLIMETERS

CURRENT DRAIN (AMPERES)		
VOLTAGE	INRUSH	HOLDING
24V 60Hz	1.66	1.04
120V 60Hz	0.33	0.21
220V 50Hz	0.18	0.11

FORM NO. 1081312

B UPDATED FITTINGS PART NOS. NONE MS# 165706

REV DESCRIPTION ECO DWN DATE APVD

Pentair Water 20980 Enterprise Avenue Brookfield, WI 53045 888.794.9065 www.Pentairwatertreatment.com

**SERIES K52 DIAPHRAGM VALVES
 SOLENOID OPERATED VALVES**

DRAWN	DATE	DRAWING NO.
JWB	02JUL01	1078160