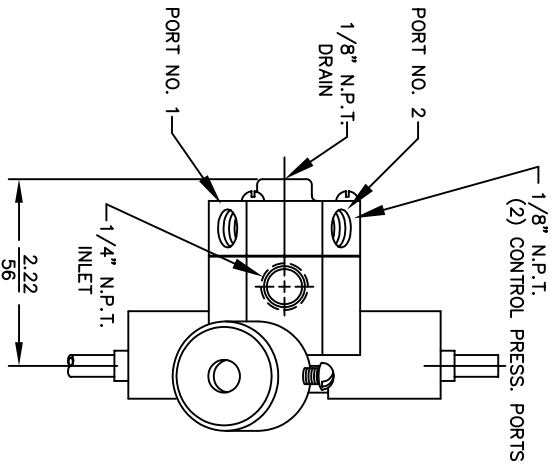


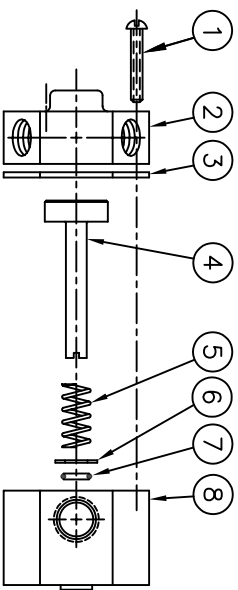
# FLOAT OPERATED LEVEL CONTROL

REPAIR PARTS KITS	
DESCRIPTION	PART NO.
PILOT CONTROL REPAIR PARTS INCLUDES ITEM NO. 3 THRU 7	1074019 (348-1AB)

PORT 1	PORT 2
FLOAT UP	PRESSED
FLOAT DOWN	VENIED
	PRESSED

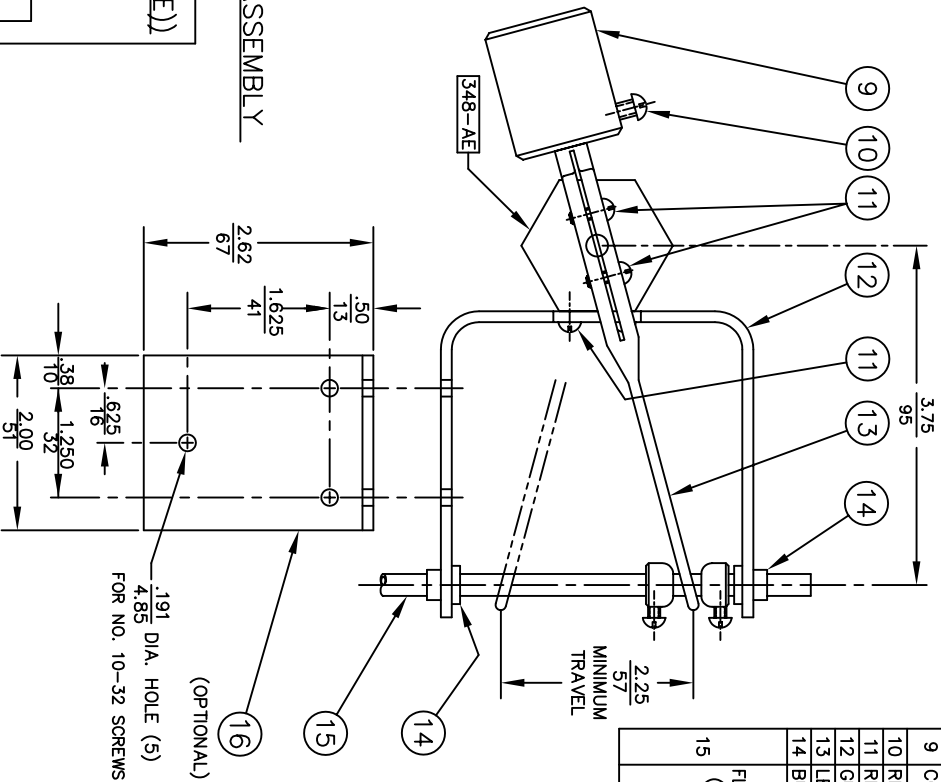


LEVEL CONTROL ASSEMBLY



PILOT CONTROL ASSEMBLY (1073992 (348-AE))

LEVEL CONTROL ASSEMBLY	FLOAT ROD ASSEMBLY
1074042 (348LC)	1074020 (348-K) (BRASS - 36")
1074044 (348LCK)	1074026 (348-KK) (BRASS - 54")
1074045 (348LCP)	1074029 (348-KP) (P.V.C. - 36")
1074046 (348LCS)	1074030 (348-KS) (STN. ST. - 36")
1074043 (348LCB)	1074028 (348-KL) (BR WELL - 36")
1074047 (348LCX)	NO FLOAT OR ROD INCL.



NO.	DESCRIPTION	PART NO.	QTY.
PILOT CONTROL ASSEMBLY (348-AE)			
1	RD. HD. MACH. SCREW (6-32 X 7/8)	1073759 (SS-0075)	3
2	BACKPLATE	1073991 (348-A)	1
3	BACKPLATE GASKET	1074842 (48006)	1
4	STEMPLATE ASSEMBLY	1074011 (348-CBA)	1
5	SPRING	1074822 (48-M)	1
6	RETAINER WASHER	1074074 (41-F)	1
7	O-RING	1071667 (OR8-010)	1
8	BONNET ASSEMBLY	1074008 (348-BJ)	1

LEVEL CONTROL ASSEMBLY																	
NO.	DESCRIPTION	SEE DWG NO.	QTY.														
9	COUNTERWEIGHT	1078195	1														
10	RD. HD. MACH. SCREW (8-32 X 1/2)	1072375 (SS-0083)	1														
11	RD. HD. MACH. SCREW (6-32 X 3/8)	1072371 (SS-0070)	4														
12	GUIDE BRACKET	1074012 (348-D)	1														
13	LEVER	1074034 (348-S)	1														
14	BUSHING	1074016 (348-G)	2														
15	FLOAT ROD ASS'Y. (SEE DWG NO. 1078195 FOR PARTS LIST)	<table border="1"> <tr> <td>BRASS (36")</td> <td>1074020 (348-K)</td> </tr> <tr> <td>BRASS (54")</td> <td>1074026 (348-KK)</td> </tr> <tr> <td>P.V.C. (36")</td> <td>1074029 (348-KP)</td> </tr> <tr> <td>STN. STL. (36")</td> <td>1074030 (348-KS)</td> </tr> <tr> <td>STN. STL. (54")</td> <td>1074027 (348-KKS)</td> </tr> <tr> <td>BRASS(36"-BR WELL)</td> <td>1074028 (348-KL)</td> </tr> <tr> <td>BRASS(54"-BR WELL)</td> <td>348-KKL</td> </tr> </table>	BRASS (36")	1074020 (348-K)	BRASS (54")	1074026 (348-KK)	P.V.C. (36")	1074029 (348-KP)	STN. STL. (36")	1074030 (348-KS)	STN. STL. (54")	1074027 (348-KKS)	BRASS(36"-BR WELL)	1074028 (348-KL)	BRASS(54"-BR WELL)	348-KKL	1
BRASS (36")	1074020 (348-K)																
BRASS (54")	1074026 (348-KK)																
P.V.C. (36")	1074029 (348-KP)																
STN. STL. (36")	1074030 (348-KS)																
STN. STL. (54")	1074027 (348-KKS)																
BRASS(36"-BR WELL)	1074028 (348-KL)																
BRASS(54"-BR WELL)	348-KKL																

FOR FLOAT ROD ASSEMBLY OPTIONS,  
SEE DRAWING NO. 1078195

FORM NO. 1078193

D	NUMBER	CONVERSION	1588	MSM	200E002
REV	DESCRIPTION	ECO	DWN	DATE	APVD



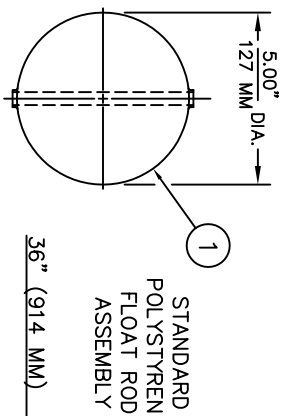
20380 Enterprise Avenue  
Brookfield, WI 53045  
888.794.9065  
www.PentairWaterTreatment.com

SERIES 348 LEVEL CONTROL  
FLOAT OPERATED VALVES

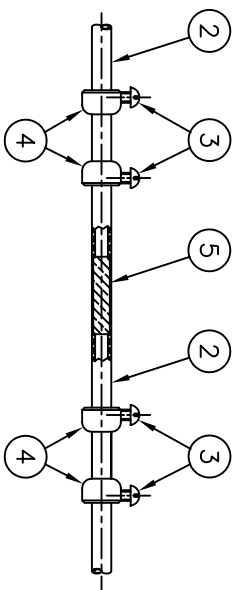
SCALE	DRAWN	DATE	DWG. NO.
N/A	JWB	17 JUL 01	1078194

PRINTED IN U.S.A.

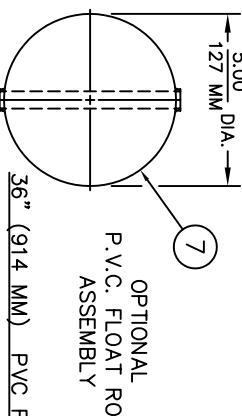
# V420 FLOAT ROD ASSEMBLIES



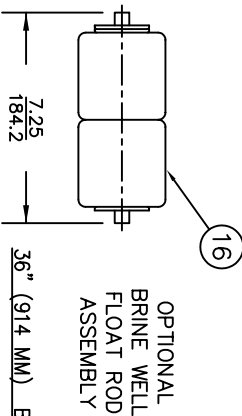
36" (914 MM) STANDARD LENGTH [1074020 (348-K)]



36" (914 MM) PVC FLOAT ROD ASSEMBLY - STANDARD LENGTH [1074029 (348-KP)]



36" (914 MM) STAINLESS STEEL FLOAT ROD ASSEMBLY - STANDARD LENGTH [1074030 (348-KS)]



36" (914 MM) BRINE WELL FLOAT ROD ASSEMBLY - STANDARD LENGTH [1074028 (348-KL)]

OPTIONAL 36" BRINE WELL FLOAT ROD ASSEMBLY (1074028 (348-KL))		
16 SPONGE FLOAT ASSEMBLY	1074023 (348-KC)	1
2 FLOAT ROD (BRASS)	1074023 (348-KC)	2
3 RD. HD. MACH. SCREW (6-32 X 1/4)	1072370 (SS-0069)	4
4 STOP (BRASS)	1074017 (348-H)	4
5 STUD (BRASS)	1074022 (348-KB)	1
N.S. COUNTERWEIGHT	1074015 (348-FF)	1

OPTIONAL 54" BRINE WELL FLOAT ROD ASSEMBLY (348-KKL)		
16 SPONGE FLOAT ASSEMBLY	1074031 (348-L)	1
2 FLOAT ROD (BRASS)	1074023 (348-KC)	3
3 RD. HD. MACH. SCREW (6-32 X 1/4)	1072370 (SS-0069)	4
4 STOP (BRASS)	1074017 (348-H)	4
5 STUD (BRASS)	1074022 (348-KB)	1
N.S. COUNTERWEIGHT	1074015 (348-FF)	1

NO.	DESCRIPTION	PART NO.	QTY.
<b>STANDARD 36" FLOAT ROD ASSEMBLY (1074020 (348-K))</b>			
1	FLOAT (POLYSTYRENE)	1073986 (348-AQ)	1
2	FLOAT ROD (BRASS)	1074023 (348-KC)	2
3	RD. HD. MACH. SCREW (6-32 X 1/4)	1072370 (SS-0069)	4
4	STOP (BRASS)	1074017 (348-H)	4
5	STUD (BRASS)	1074022 (348-KB)	1
N.S.	COUNTERWEIGHT	1074014 (348-F)	1

OPTIONAL 54" FLOAT ROD ASSEMBLY (1074026 (348-KK))			
1	FLOAT (POLYSTYRENE)	1073986 (348-AQ)	1
2	FLOAT ROD (BRASS)	1074023 (348-KC)	3
3	RD. HD. MACH. SCREW (6-32 X 1/4)	1072370 (SS-0069)	4
4	STOP (BRASS)	1074017 (348-H)	4
5	STUD (BRASS)	1074022 (348-KB)	2
N.S.	COUNTERWEIGHT	1074015 (348-FF)	1

OPTIONAL 36" PVC FLOAT ROD ASSEMBLY (1074029 (348-KP))			
3	RD. HD. MACH. SCREW (6-32 X 1/4)	1072370 (SS-0069)	2
4	STOP (PVC)	1074017 (348-H)	2
7	FLOAT (PVC)	1073987 (348-AR)	1
8	UPPER FLOAT ROD (PVC)	1073999 (348-AV)	1
9	LOWER FLOAT ROD (PVC)	1073995 (348-AP)	1
10	HEX HD. CAP SCREW (3/8-16 X 1")	1072352 (SP-0023)	2
11	COLLAR	1073993 (348-AH)	2
N.S.	COUNTERWEIGHT	1074014 (348-F)	1

OPTIONAL 36" STN. STL. FLOAT ROD ASSEMBLY (1074030 (348-KS))			
3	RD. HD. MACH. SCREW (6-32 X 1/4)	1072370 (SS-0069)	4
12	FLOAT (STN. STL.)	1073988 (348-AS)	1
13	STOP	1074018 (348-HC)	4
14	FLOAT ROD (STN. STL.)	1074024 (348-KD)	2
15	STUD (STN. STL.)	1074025 (348-KE)	1
N.S.	COUNTERWEIGHT	1074014 (348-F)	1

OPTIONAL 54" STN. STL. FLOAT ROD ASSEMBLY (348-KSK)			
3	RD. HD. MACH. SCREW (6-32 X 1/4)	1072370 (SS-0069)	4
12	FLOAT (STN. STL.)	1073988 (348-AS)	1
13	STOP	1074018 (348-HC)	4
14	FLOAT ROD (STN. STL.)	1074024 (348-KD)	3
15	STUD (STN. STL.)	1074025 (348-KE)	2
N.S.	COUNTERWEIGHT	1074014 (348-F)	1

FORM NO. 1078193

D	NUMBER	CONVERSION	1588	MSM	200E02
REV	DESCRIPTION	ECO	DWN	DATE	APVD



20580 Enterprise Avenue  
Brookfield, WI 53005  
888.784.9065  
www.PentairWaterTreatment.com

SERIES 420 DIAPHRAGM VALVES

FLOAT ROD ASSEMBLIES

SCALE	DRAWN	DATE	DWG. NO.
N/A	JWB	17JUL01	1078194