

PENTEK® ST Series

Stainless Steel Filter Housings



ST Series Stainless Steel Filter Housings effectively provide heavy-duty filtration for smaller filtration systems and point-of-use applications. Supplying flow rates of up to 20 gpm (76 Lpm), at a maximum water temperature of 300°F (149°C), ST Series housings are ideal for hot water and high-pressure applications.

The brushed 304 stainless steel sumps have a pipe plug or pet-cock in the bottom for draining. Heads are manufactured from nickel-plated cast-brass.

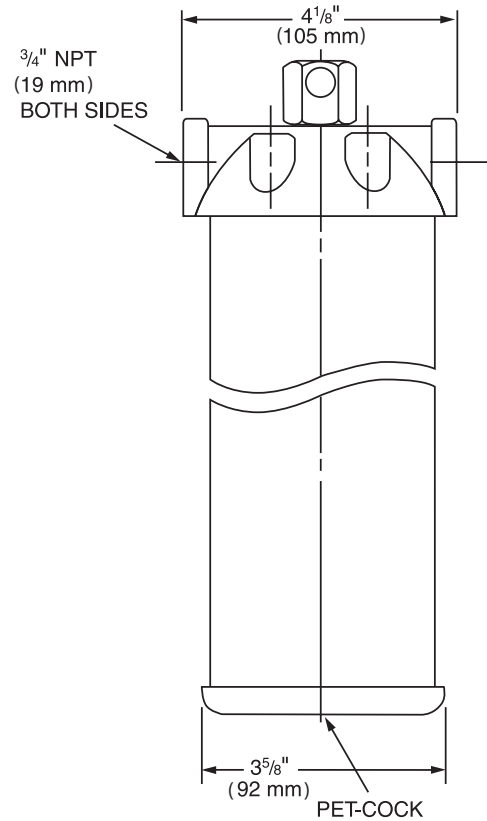
ST Series Housings are easy to install and maintain. They are compatible with a complete range of filter cartridges, adding to their versatility.

Product Features

- Heavy duty units for smaller filtration systems and point-of-use applications
- Brushed 304 stainless steel sump with a cast brass/nickel plated head
- Ideal for high-pressure/hot water applications
- Accepts complete range of standard double open end (DOE) cartridges up to 3" in diameter
- Available in 10", 20", 30" sizes

PENTEK® ST Series

Stainless Steel Filter Housings



Housing Specifications and Performance Data

Model	Cartridge Length	Maximum Dimensions	Flow Rate (gpm)*	Maximum Temperature	Maximum Pressure
ST-1	10"	12-7/8" x 4-1/8" (327 mm x 105 mm)	10 gpm (38 Lpm)	300°F (149°C)	250 psi (17.2 bar)
ST-2	20"	22-3/4" x 4-1/8" (578 mm x 105 mm)	15 gpm (57 Lpm)	300°F (149°C)	250 psi (17.2 bar)
ST-3	30"	32-3/8" x 4-1/8" (822 mm x 105 mm)	20 gpm (76 Lpm)	300°F (149°C)	250 psi (17.2 bar)

• Will not accept GAC, CC, CGAC, TSGAC, WS, PCF, PCC or SOE Cartridge.

* Based on sediment removal with a 25-micron filter cartridge and 1 PSIG initial clean pressure drop.

Materials of Construction

Model	Accessories
156037	Mounting Bracket

Housing	Brushed 304 Stainless Steel
Head	Brass/Nickel Plated
Pipe Size	3/4" NPT
Head Nut Gasket	Cellulose Fiber (143220)
Housing Gasket	Buna-N (143216)

WARNING: For drinking water applications, do not use with water that is microbiologically unsafe or of unknown quality without adequate disinfection before or after the system.

WARNING: If pressure exceeds 125psi, (8.62 bar) at any time, a pressure regulator is recommended. **CAUTION:** Protect against freezing to prevent cracking of the filter and water leakage.

NOTE: Not recommended for applications with TDS or chlorides >1000 ppm and/or pH <5.0. Use of this product in these conditions will void the limited warranty.

Consult factory for product modifications for these conditions.



Pentair Residential Filtration, LLC
5730 North Glen Park Road
Milwaukee, WI 53209
Tel: 262.238.4400
Fax: 262.238.4404
www.pentairaqua.com/pro
Customer Care: 800.279.9404